

CATALOG

US





MENNEKES

UL US LISTED
7506
MAN. MTR. CNTRL.
TYPE 4X, 12

NSF IP69K

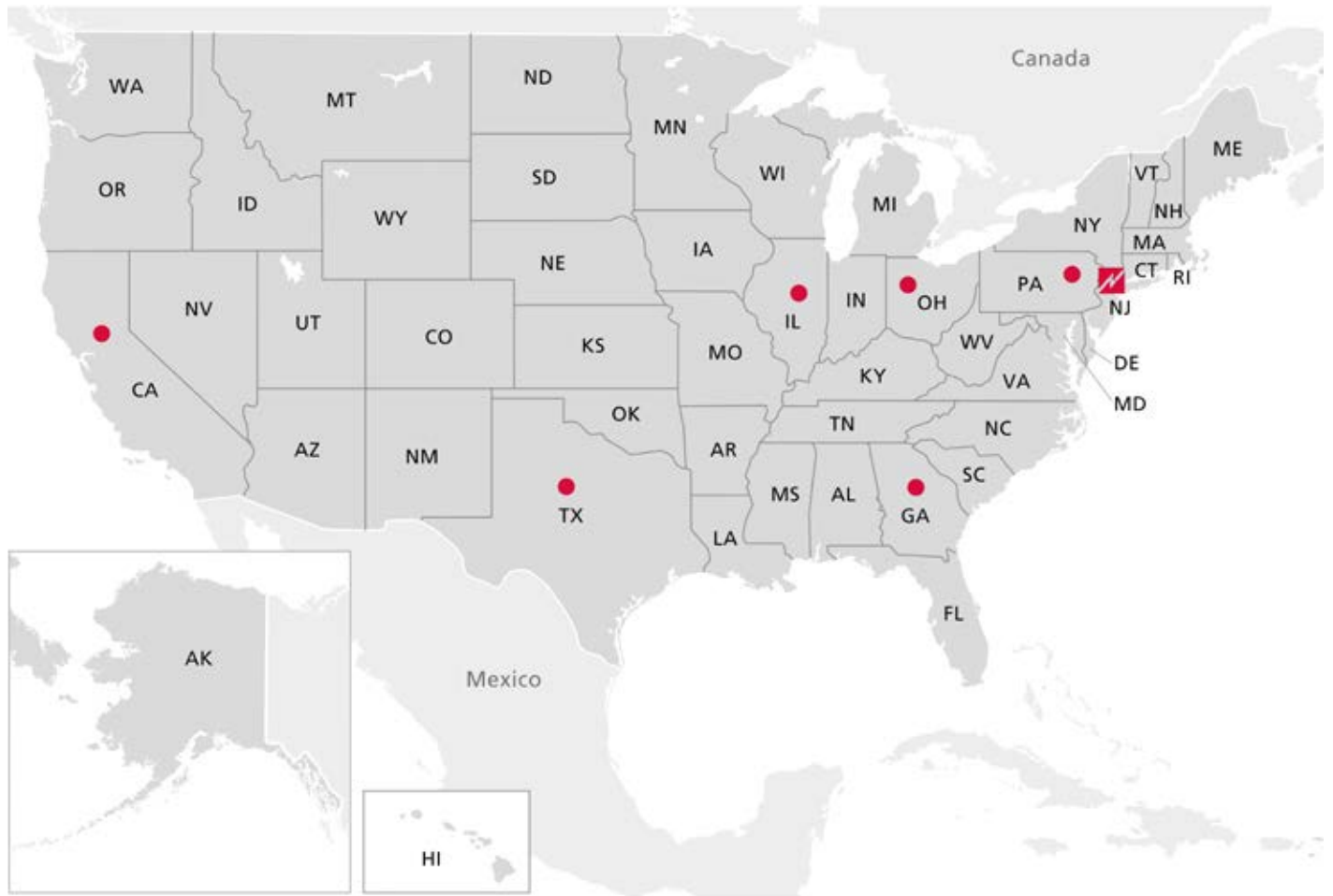
CAT NO.
ME30DS1A-M2

30 AMP
3PH 600VAC
25HP MAX
WITH AUX. CONTACTS

Table of contents

	Page
1 MENNEKES	
Contact Information	4
The company	5
2 Wiring Devices – Series 60309 Pin and Sleeve	
Receptacles and Inlets	12 - 17
Plugs and Connectors	18 - 21
Dual-Listed Receptacles, Plugs and Connectors	23
Marine Grade, Reefer and Cold Storage Applications & Wiring Device Accessories	24 - 25
3 Custom Power Distribution	
AMAXX® Receptacle Combinations	30 - 46
SpecMAXX Power Distribution	48
4 Switched and Interlocked Receptacles	
LockOUT-LET Series	52 - 54
FCB Window Series	55
HMI Series	56
SPEC Grade Stainless Steel Series	57
5 Motor Disconnect Switches and Specialty Enclosures	
CDS Series; DS Series	60 - 61
HDI Series; FDS Non-Metallic Series	62 - 63
SPEC Grade Stainless Steel Series; SDS Stainless Steel Series	64 - 65
SLP Stainless Steel Series	66
FM Flush Mounted Stainless Steel	67
SPEC Grade Stainless Steel Pushbutton Enclosures and Junction Boxes	68
FS Series	69
6 UL 1686 C1 Configured Switched Receptacles and Plugs	
MSR Series	72 - 73
AM-Tite Series	74
7 Service	
Proven Quality	76
Industry Applications	77
Index	78 - 79





MENNEKES

Electrical Products

277 Fairfield Road
FAIRFIELD, NJ 07004
Main Phone: +1 800 882-7584
Fax: +1 973-882-5585
General email: info@MENNEKES.com

To Place an Order

Domestic & International
Phone: +1 800 882-7584
orders@MENNEKES.com

Product Pricing & Availability

Domestic & International
Phone: +1 800 882-7584
info@MENNEKES.com

Customer Service & Technical Support

Customer Service Department
Phone: +1 800 882-7584



MENNEKES Corporate Office located in Kirchhundem, Germany.

MENNEKES is a family-run business. Personal relationships are the core of our business, which is why our focus has always been our customers.

At MENNEKES, a 1,000-strong global workforce produces plugs and receptacles for international markets from our two manufacturing facilities in Germany. Our headquarters is located in Kirchhundem, Germany, with a second manufacturing facility in Neudorf, located in the Erzgebirge area of Germany.

MENNEKES North America was established in 1987 and is headquartered in Fairfield, NJ, with sales offices throughout the US, Canada and Mexico.

At MENNEKES, we understand the importance of quality power distribution products that are both user-friendly and safe. MENNEKES has drawn on over 80 years of industry leading innovation to provide you with the highest quality product to meet your most demanding challenges in an ever-changing global marketplace.



From grandfather, to father, to son: What the company founder, Aloys Mennekes, started in 1935 is continued today jointly by Walter Mennekes and his son Christopher Mennekes.



MENNEKES Electrical Products was established in the US more than 30 years ago and is still managed today by Thomas Bodnar (President) and Paul DiAntonio (VP – Sales & Marketing).

Wiring Devices – Series 60309 Pin and Sleeve
Product information

2



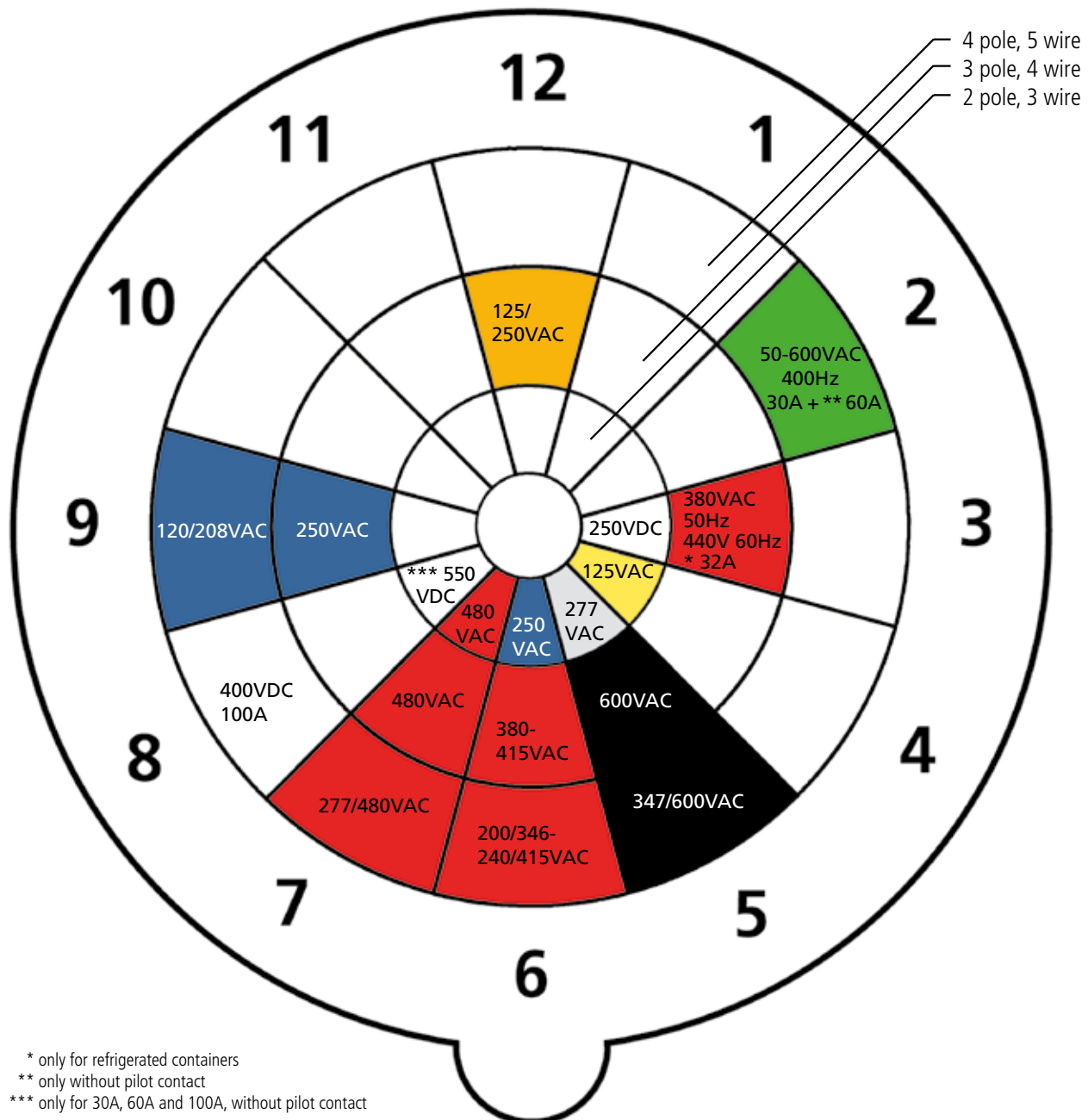
Clock positions for North America. Per UL 1686 C2.

Making a connection is easy

A clock face is used to represent the grounding contact position for all female connectors and receptacles. With the keyway at the bottom, the female grounding contact will appear at one of the twelve hour positions. To identify the system voltage, identify the enclosure color and hour location of the connector or receptacle grounding contact.

* See our full-line International Wiring Device Catalog for Series 1 International Configurations.

2



Features and benefits.

2

Connectors

In-line connectors feature dead-front construction for safety and use split brass contact sleeves.

**X-CONTACT
INSIDE**



Molded-in-place cover gasket on 60A and 100A PowerTOP Xtra covers assures long lasting watertight seal.

Field replaceable flip lid covers and locking rings.



Same screwdriver type can be used for clamp screws and backed-out terminal screws

Color-coded housing clearly identifies device voltage, consistent with industry standard.

Contact carriers molded from high temperature thermoplastic materials.

Receptacles

Offered in compact footprint and “L” Series to match Industry Standard mounting dimensions. Oversized ground sleeve positioned to specific voltage configuration preventing mismatching of different voltages.



Wiring Devices – Series 60309 Pin and Sleeve

Product information

2

Plugs

In-line plugs feature non-metallic housings with locking rings and sealing gasket for UL Type 4X protection.



Inlets

Ideal for generator or motor plug interface, can be panel mounted or used with a back box. Units offered in compact footprint or “L” series to match industry standard mounting dimensions.

Wiring Devices – Series 60309 Pin and Sleeve

Product information

Ordering is easy

We have made our catalog number ordering system as easy to use as our products! Simply follow the six-part“code”...

ME	4	20	R	7	W*
Prefix	1st digit	2nd-4th digit	1st letter	Last digit	Last letter
ME = MENNEKES	3 = 3 Wire 4 = 4 Wire 5 = 5 Wire	20 = 20Amp. 30 = 30Amp. 60 = 60Amp. 100 = 100Amp.	P = Plug C = Connector R = Receptacle B = Inlet MI = Mechanical Interlock	Clock position of female grounding contact	W = Watertight

* Omit W for Splashproof version

Material Specifications

Component Part	Receptacle	Plug	Connector	Inlet
Enclosure & Flange	20A & 30A PBT/PC 60A & 100A PC/PET		20A & 30A Type 6 Nylon	PC/PET
Front Housing	100A PC; Nylon/ABS	20A & 30A Type 6 Nylon 60A & 100A PBT/PC and TPE Rubber and POM	60A & 100A PBT/PC	20A & 30A Type 6 Nylon 60A & 100A Type Nylon/ABS
Back Body		20A & 30A Type 6 Nylon 60A & 100A PBT/PC and TPE Rubber	60A & 100A PBT/PC and TPE Rubber and POM	
Contact Carrier / Support Isolators	Type 6/6 Nylon	20A & 30A Type 6 Nylon 60A & 100A Type 6/6 Nylon	Type 6/6 Nylon	20A & 30A Type 6 Nylon 60A & 100A Type 6/6 Nylon
Sleeves	Brass		Brass	
Pins		Brass Nickel Plated		Brass Nickel Plated
Contact Spring on Sleeves	Steel Nickel Plated		Steel Nickel Plated	
Bayonet Ring		20A & 30A PC/PET 60A & 100A PBT/PC and TPE Rubber		PC/PET 100A PBT/PC
Bayonet Gasket		20A & 30A EPDM Rubber 60A & 100A TPE Rubber		20A & 30A EPDM Rubber 60A & 100A NBR Rubber
External Strain Relief		PC/PET	PC/PET	
Cable Seal		EPDM Rubber	EPDM Rubber	
Support Washer for Cord Grip		Steel Zn Passivated	Steel Zn Passivated	
Cover	20A & 30A Type 6 Nylon 60A & 100A PBT/PC		20A & 30A Type 6 Nylon 60A & 100A PBT/PC	
Locking Ring	20A & 30A PBT/PC 60A & 100A PBT/PC and TPE Rubber		20A & 30A PBT/PC 60A & 100A PBT/PC and TPE Rubber	
Cover Spring	Stainless Steel		Stainless Steel	
Rivet	PBT/PC		20A & 30A PBT/PC 60A & 100A Stainless Steel	
Cover Gasket	20A & 30A NBR Rubber 60A & 100A TPE Rubber		20A & 30A NBR Rubber 60A & 100A TPE Rubber	
Flange Gasket	NR Rubber			NR Rubber
Terminal Screws	20A & 30A Steel G3E 60A Brass and Steel Nickel Plated 100A Stainless Steel	20A & 30A Steel G3E 60A Brass and Steel Nickel Plated 100A Stainless Steel	20A & 30A Steel G3E 60A Brass and Steel Nickel Plated 100A Stainless Steel	20A & 30A Steel G3E 60A Brass and Steel Nickel Plated 100A Stainless Steel
Assembly Screws	Stainless Steel; Steel Zn Passivated	20A & 30A Stainless Steel	20A & 30A Stainless Steel	Stainless Steel; Steel Zn Passivated

Compliance & Mechanical

UL Standards 1682; 1686-C2 Pin and Sleeve Type; cUL to CSA 22.2 No. 182.1

Watertight: UL Type 4X

Conforms to IEC Standards 60309-1 and 60309-2

Watertight: IP 67 per IEC 529, Splashproof: IP 54 per IEC 529

Flame Class Rating per UL94: V0 for Contact Carriers (insulators), HB or better for Enclosures (UV Stabilized)

Impact Resistance: Units conditioned to -25°C for 6 hours and dropped 8 times from 30"

Crush: Units conditioned to -25°C for 6 hours and 250 lbs. of force applied for 1 minute.

Cable Grip Retention (applied to min. & max cable sizes)

Unit	Force, lbs.	Torque, ft. lbs.
20A	30	0.4
30A	75	0.5
60A	150	1.0
100A	150	1.0

Wiring Devices – Series 60309 Pin and Sleeve

Product information

Electrical		
Dielectric Voltage:	3000 V maximum	
Maximum Working Voltage:	600 RMS	
Current Interrupting:	Certified at full-rated current and voltage	
Temperature Rise:	Maximum 30°C temperature at full rated current	
Overload:	50 cycles at 150% of rated current and 100% of rated voltage. (Power factor at .75-.80)	
Endurance with Load:	(at .75-.80 Power Factor)	
	20A -	5,000 mated cycles at full-rated current/voltage.
	30A and 60A -	2,000 mated cycles with full-rated current/voltage applied on every other cycle.
	100A -	500 mated cycles with full-rated current/voltage applied on every other cycle.

2

UL Locked Rotor Horsepower Ratings

AC Voltage Rating	Horsepower	Catalog Number			
125	1	ME 320R4W	ME 320P4W	ME 320C4W	ME 320B4W
250	2	ME 320R6W	ME 320P6W	ME 320C6W	ME 320B6W
480	3	ME 320R7W	ME 320P7W	ME 320C7W	ME 320B7W
125/250	1; 2	ME 420R12W	ME 420P12W	ME 420C12W	ME 420B12W
3Ø250	2	ME 420R9W	ME 420P9W	ME 420C9W	ME 420B9W
380/415			ME 420P6W	ME 420C6W	ME 420B6W
3Ø480	5	ME 420R7W	ME 420P7W	ME 420C7W	ME 420B7W
3Ø600	7.5	ME 420R5W	ME 420P5W	ME 420C5W	ME 420B5W
3ØY120/208	1.5	ME 520R9W	ME 520P9W	ME 520C9W	ME 520B9W
200/346/240/415		ME 520R6W-L	ME 520P6W	ME 520C6W	ME 520B6W
3ØY277/480	5	ME 520R7W	ME 520P7W	ME 520C7W	ME 520B7W
3ØY347/600	7.5	ME 520R5W	ME 520P5W	ME 520C5W	ME 520B5W
125	2	ME 330R4W	ME 330P4W	ME 330C4W	ME 330B4W
250	2	ME 330R6W	ME 330P6W	ME 330C6W	ME 330B6W
480	5	ME 330R7W	ME 330P7W	ME 330C7W	ME 330B7W
125/250	2	ME 430R12W	ME 430P12W	ME 430C12W	ME 430B12W
3Ø250	3	ME 430R9W	ME 430P9W	ME 430C9W	ME 430B9W
380/415		ME 430R6W-L	ME 430P6W	ME 430C6W	ME 430B6W
3Ø480	7.5	ME 430R7W	ME 430P7W	ME 430C7W	ME 430B7W
3Ø600	10	ME 430R5W	ME 430P5W	ME 430C5W	ME 430B5W
200/346/240/415		ME 530R6W	ME 530P6W	ME 530C6W	ME 530B6W
3ØY120/208	2	ME 530R9W	ME 530P9W	ME 530C9W	ME 530B9W
3ØY277/480	7.5	ME 530R7W	ME 530P7W	ME 530C7W	ME 530B7W
3ØY347/600	10	ME 530R5W	ME 530P5W	ME 530C5W	ME 530B5W
125	2	ME 360R4W	ME 360P4W	ME 360C4W	ME 360B4W-L
250	3	ME 360R6W	ME 360P6W	ME 360C6W	ME 360B6W-L
480	10	ME 360R7W	ME 360P7W	ME 360C7W	ME 360B7W-L
125/250	2; 3	ME 460R12W	ME 460P12W	ME 460C12W	ME 460B12W-L
3Ø250	7.5	ME 460R9W	ME 460P9W	ME 460C9W	ME 460B9W-L
380/415		ME 460R6W-L	ME 460P6W	ME 460C6W	ME 460B6W-L
3Ø480	15	ME 460R7W	ME 460P7W	ME 460C7W	ME 460B7W-L
3Ø600	20	ME 460R5W	ME 460P5W	ME 460C5W	ME 460B5W-L
3ØY120/208	5	ME 560R9W	ME 560P9W	ME 560C9W	ME 560B9W-L
200/346/240/415		ME 560R6W-L	ME 560P6W	ME 560C6W	ME 560B6W-L
3ØY277/480	15	ME 560R7W	ME 560P7W	ME 560C7W	ME 560B7W-L
3ØY347/600	20	ME 560R5W	ME 560P5W	ME 560C5W	ME 560B5W-L
125	2	ME 3100R4W	ME 3100P4W	ME 3100C4W	ME 3100B4W-L
250	5	ME 3100R6W	ME 3100P6W	ME 3100C6W	ME 3100B6W-L
480	10	ME 3100R7W	ME 3100P7W	ME 3100C7W	ME 3100B7W-L
125/250	2; 5	ME 4100R12W	ME 4100P12W	ME 4100C12W	ME 4100B12W-L
3Ø250	10	ME 4100R9W	ME 4100P9W	ME 4100C9W	ME 4100B9W-L
380/415	10	ME 4100R6W-L	ME 4100P6W	ME 4100C6W	ME 4100B6W-L
3Ø480	20	ME 4100R7W	ME 4100P7W	ME 4100C7W	ME 4100B7W-L
3Ø600	25	ME 4100R5W	ME 4100P5W	ME 4100C5W	ME 4100B5W-L
3ØY120/208	7.5	ME 5100R9W	ME 5100P9W	ME 5100C9W	ME 5100B9W-L
200/346/240/415		ME 5100R6W-L	ME 5100P6W	ME 5100C6W	ME 5100B6W-L
3ØY277/480	20	ME 5100R7W	ME 5100P7W	ME 5100C7W	ME 5100B7W-L
3ØY347/600	25	ME 5100R5W	ME 5100P5W	ME 5100C5W	ME 5100B5W-L

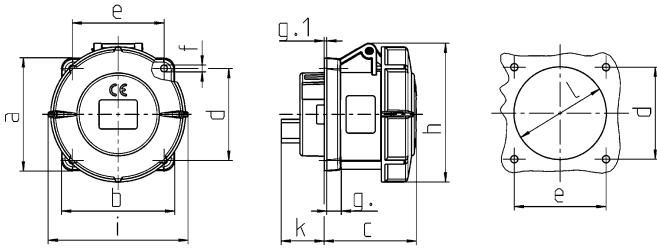
Wiring Devices – Series 60309 Pin and Sleeve Receptacles, 20A, Watertight

2

Receptacles 20 Amp



For Back Box Information see page 25.



Wire Configuration	Voltage	Catalog Number
2 Pole 3 Wire	● 125	ME 320R4W
	● 250	ME 320R6W
	● 480	ME 320R7W
3 Pole 4 Wire	● 125/250	ME 420R12W
	● 3Ø250	ME 420R9W
	● 3Ø480	ME 420R7W
	● 3Ø600	ME 420R5W
4 Pole 5 Wire	● 3ØY120/208	ME 520R9W
	● 3ØY277/480	ME 520R7W
	● 3ØY347/600	ME 520R5W

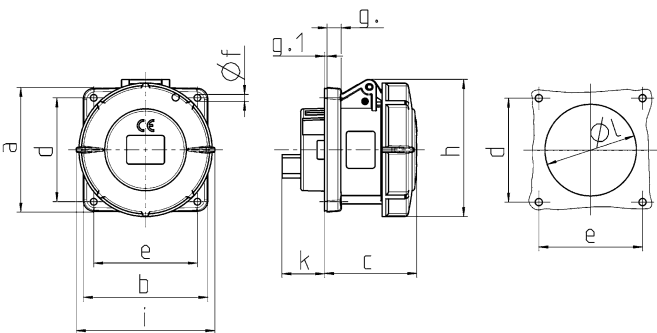
Approximate Dimensions (in inches)

	Wire Configuration		
	2 Pole, 3 Wire	3 Pole, 4 Wire	4 Pole, 5 Wire
a	3.37	3.37	3.37
b	3.37	3.37	3.37
c	2.28	2.28	2.32
d	2.74	2.74	2.74
e	2.74	2.74	2.74
f	0.22	0.22	0.22
g.	0.39	0.39	0.39
g.1	0.08	0.08	0.08
h	3.11	3.47	3.74
i	3.07	3.35	3.50
k	1.10	1.10	1.10
l	2.76	2.76	2.76

Receptacles 20 Amp – Large Industry Standard Flange



For Back Box Information see page 25.



Wire Configuration	Voltage	Catalog Number
2 Pole 3 Wire	● 125	ME 320R4W-L
	● 250	ME 320R6W-L
	● 480	ME 320R7W-L
3 Pole 4 Wire	● 125/250	ME 420R12W-L
	● 3Ø250	ME 420R9W-L
	● 380/415	ME 420R6W-L
	● 3Ø480	ME 420R7W-L
	● 3Ø600	ME 420R5W-L
4 Pole 5 Wire	● 3ØY120/208	ME 520R9W-L
	● 200/346/240/415	ME 520R6W-L
	● 3ØY277/480	ME 520R7W-L
	● 3ØY347/600	ME 520R5W-L

Approximate Dimensions (in inches)

	Wire Configuration		
	2 Pole, 3 Wire	3 Pole, 4 Wire	4 Pole, 5 Wire
a	3.75	3.75	3.75
b	3.75	3.75	3.75
c	2.28	2.28	2.32
d	3.16	3.16	3.16
e	3.16	3.16	3.16
f	0.22	0.22	0.22
g.	0.39	0.39	0.39
g.1	0.08	0.08	0.08
h	3.11	3.47	3.74
i	3.07	3.35	3.50
k	1.10	1.10	1.10
l	2.76	2.76	2.76

**Wiring Devices – Series 60309 Pin and Sleeve
Receptacles, 30A, Watertight**

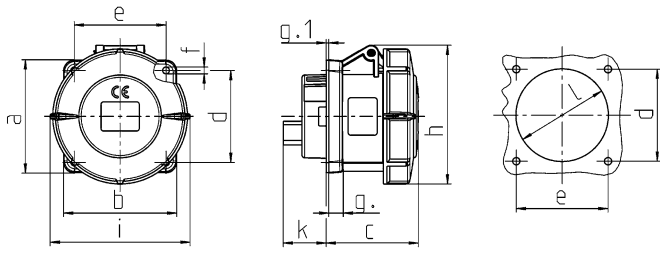
Receptacles 30 Amp



For Back Box Information see page 25.

Wire Configuration	Voltage	Catalog Number
2 Pole 3 Wire	● 125	ME 330R4W
	● 250	ME 330R6W
	● 480	ME 330R7W
3 Pole 4 Wire	● 125/250	ME 430R12W
	● 3Ø250	ME 430R9W
	● 3Ø480	ME 430R7W
	● 3Ø600	ME 430R5W
4 Pole 5 Wire	● 3ØY120/208	ME 530R9W
	● 200/346/240/415	ME 530R6W
	● 3ØY277/480	ME 530R7W
	● 3ØY347/600	ME 530R5W

Approximate Dimensions (in inches)



	Wire Configuration		
	2 Pole, 3 Wire	3 Pole, 4 Wire	4 Pole, 5 Wire
a	3.37	3.37	3.37
b	3.37	3.37	3.37
c	2.80	2.80	2.80
d	2.74	2.74	2.74
e	2.74	2.74	2.74
f	0.22	0.22	0.22
g.	0.39	0.39	0.39
g.1	0.08	0.08	0.08
h	3.40	3.40	4.13
i	4.06	4.06	4.33
k	1.34	1.34	1.34
l	2.76	2.76	2.76

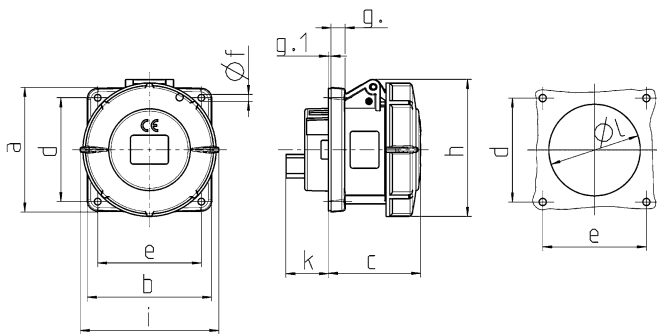
Receptacles 30 Amp – Large Industry Standard Flange



For Back Box Information see page 25.

Wire Configuration	Voltage	Catalog Number
2 Pole 3 Wire	● 125	ME 330R4W-L
	● 250	ME 330R6W-L
	● 480	ME 330R7W-L
3 Pole 4 Wire	● 125/250	ME 430R12W-L
	● 3Ø250	ME 430R9W-L
	● 380/415	ME 430R6W-L
	● 3Ø480	ME 430R7W-L
	● 3Ø600	ME 430R5W-L
4 Pole 5 Wire	● 3ØY120/208	ME 530R9W-L
	● 200/346/240/415	ME 530R6W-L
	● 3ØY277/480	ME 530R7W-L
	● 3ØY347/600	ME 530R5W-L

Approximate Dimensions (in inches)



	Wire Configuration		
	2 Pole, 3 Wire	3 Pole, 4 Wire	4 Pole, 5 Wire
a	3.75	3.75	3.75
b	3.75	3.75	3.75
c	2.80	2.80	2.80
d	3.16	3.16	3.16
e	3.16	3.16	3.16
f	0.22	0.22	0.22
g.	0.39	0.39	0.39
g.1	0.08	0.08	0.08
h	3.40	3.40	4.13
i	4.06	4.06	4.33
k	1.34	1.34	1.34
l	2.76	2.76	2.76

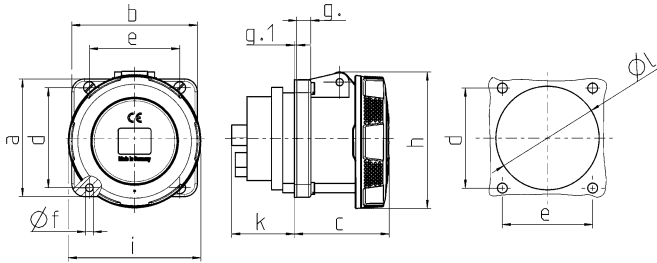
Wiring Devices – Series 60309 Pin and Sleeve Receptacles, 60A, Watertight

2

Receptacles 60 Amp



* Available in splashproof. To order, omit W suffix.
For Back Box Information see page 25.



Wire Configuration	Voltage	Catalog Number*
2 Pole 3 Wire	● 125	ME 360R4W
	● 250	ME 360R6W
	● 480	ME 360R7W
3 Pole 4 Wire	● 125/250	ME 460R12W
	● 3Ø250	ME 460R9W
	● 3Ø480	ME 460R7W
	● 3Ø600	ME 460R5W
4 Pole 5 Wire	● 3ØY120/208	ME 560R9W
	● 3ØY277/480	ME 560R7W
	● 3ØY347/600	ME 560R5W

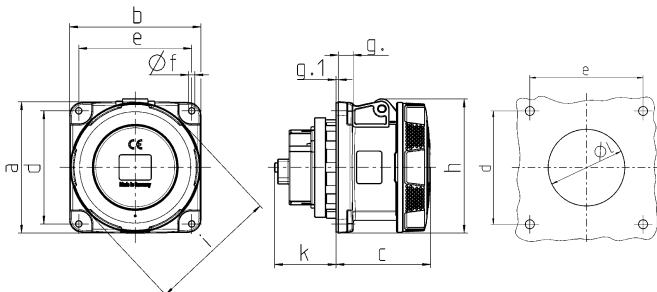
Approximate Dimensions (in inches)

	Wire Configuration		
	2 Pole, 3 Wire	3 Pole, 4 Wire	4 Pole, 5 Wire
a	4.21	4.21	4.21
b	3.94	3.94	3.94
c	3.19	3.19	3.19
d	3.35	3.35	3.35
e	3.03	3.03	3.03
f	0.24	0.24	0.24
g	0.47	0.47	0.47
g.1	0.08	0.08	0.08
h	4.61	4.61	4.61
i	4.45	4.45	4.45
k	2.17	2.17	2.17
l	3.46	3.46	3.46

Receptacles 60 Amp – Large Industry Standard Flange



* Available in splashproof. To order, omit W suffix.
For Back Box Information see page 25.



Wire Configuration	Voltage	Catalog Number*
2 Pole 3 Wire	● 125	ME 360R4W-L
	● 250	ME 360R6W-L
	● 480	ME 360R7W-L
3 Pole 4 Wire	● 125/250	ME 460R12W-L
	● 3Ø250	ME 460R9W-L
	● 380/415	ME 460R6W-L
	● 3Ø480	ME 460R7W-L
4 Pole 5 Wire	● 3Ø600	ME 460R5W-L
	● 3ØY120/208	ME 560R9W-L
	● 200/346/240/415	ME 560R6W-L
	● 3ØY277/480	ME 560R7W-L
	● 3ØY347/600	ME 560R5W-L

Approximate Dimensions (in inches)

	Wire Configuration		
	2 Pole, 3 Wire	3 Pole, 4 Wire	4 Pole, 5 Wire
a	4.50	4.50	4.50
b	4.50	4.50	4.50
c	3.19	3.19	3.19
d	3.87	3.87	3.87
e	3.87	3.87	3.87
f	0.22	0.22	0.22
g	0.47	0.47	0.47
g.1	0.08	0.08	0.08
h	4.61	4.61	4.61
i	4.45	4.45	4.45
k	2.17	2.17	2.17
l	3.46	3.46	3.46

**Wiring Devices – Series 60309 Pin and Sleeve
Receptacles, 100A, Watertight**

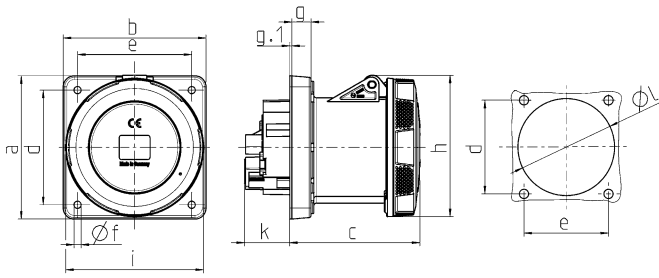
Receptacles 100 Amp



For Back Box Information see page 25.

Wire Configuration	Voltage	Catalog Number
2 Pole 3 Wire	● 125	ME 3100R4W
	● 250	ME 3100R6W
	● 480	ME 3100R7W
3 Pole 4 Wire	● 125/250	ME 4100R12W
	● 3Ø250	ME 4100R9W
	● 3Ø480	ME 4100R7W
4 Pole 5 Wire	● 3Ø600	ME 4100R5W
	● 3ØY120/208	ME 5100R9W
	● 3ØY277/480	ME 5100R7W
	● 3ØY347/600	ME 5100R5W

Approximate Dimensions (in inches)



	Wire Configuration		
	2 Pole, 3 Wire	3 Pole, 4 Wire	4 Pole, 5 Wire
a	5.12	5.12	5.12
b	5.12	5.12	5.12
c	4.69	4.69	4.69
d	4.09	4.09	4.09
e	4.09	4.09	4.09
f	0.26	0.26	0.26
g	0.71	0.71	0.71
g.1	0.08	0.08	0.08
h	5.08	5.08	5.08
i	4.96	4.96	4.96
k	1.69	1.69	1.69
l	3.74	3.74	3.74

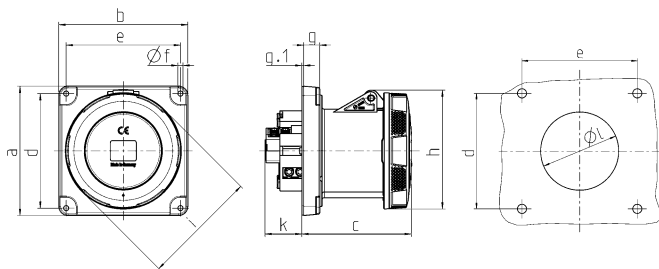
Receptacles 100 Amp – Large Industry Standard Flange



For Back Box Information see page 25.

Wire Configuration	Voltage	Catalog Number
2 Pole 3 Wire	● 125	ME 3100R4W-L
	● 250	ME 3100R6W-L
	● 480	ME 3100R7W-L
3 Pole 4 Wire	● 125/250	ME 4100R12W-L
	● 3Ø250	ME 4100R9W-L
	● 380/415	ME 4100R6W-L
	● 3Ø480	ME 4100R7W-L
4 Pole 5 Wire	● 3Ø600	ME 4100R5W-L
	● 3ØY120/208	ME 5100R9W-L
	● 200/346/240/415	ME 5100R6W-L
	● 3ØY277/480	ME 5100R7W-L
	● 3ØY347/600	ME 5100R5W-L

Approximate Dimensions (in inches)



	Wire Configuration		
	2 Pole, 3 Wire	3 Pole, 4 Wire	4 Pole, 5 Wire
a	5.50	5.50	5.50
b	5.50	5.50	5.50
c	4.69	4.69	4.69
d	4.87	4.87	4.87
e	4.87	4.87	4.87
f	0.22	0.22	0.22
g	0.71	0.71	0.71
g.1	0.08	0.08	0.08
h	5.08	5.08	5.08
i	4.96	4.96	4.96
k	1.69	1.69	1.69
l	3.74	3.74	3.74

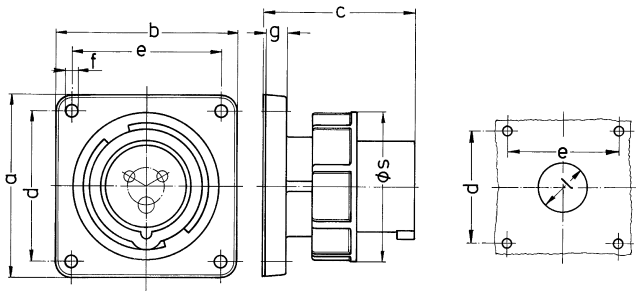
Wiring Devices – Series 60309 Pin and Sleeve Inlets, 20A - 30A Watertight

2

Inlets 20 Amp



For Back Box Information see page 25.



Wire Configuration	Voltage	Catalog Number
2 Pole 3 Wire	● 125	ME 320B4W
	● 250	ME 320B6W
	● 480	ME 320B7W
3 Pole 4 Wire	● 125/250	ME 420B12W
	● 3Ø250	ME 420B9W
	● 380/415	ME 420B6W
	● 3Ø480	ME 420B7W
	● 3Ø600	ME 420B5W
4 Pole 5 Wire	● 3ØY120/208	ME 520B9W
	● 200/346/240/415	ME 520B6W
	● 3ØY277/480	ME 520B7W
	● 3ØY347/600	ME 520B5W

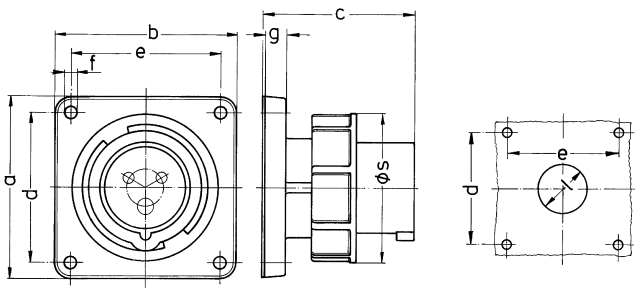
Approximate Dimensions (in inches)

	Wire Configuration		
	2 Pole, 3 Wire	3 Pole, 4 Wire	4 Pole, 5 Wire
a	3.37	3.37	3.37
b	3.37	3.37	3.37
c	2.83	2.83	2.83
d	2.74	2.74	2.74
e	2.74	2.74	2.74
f	0.22	0.22	0.22
g	0.43	0.43	0.43
l	1.26	1.26	1.85
s	2.80	3.11	3.50

Inlets 30 Amp



For Back Box Information see page 25.



Wire Configuration	Voltage	Catalog Number
2 Pole 3 Wire	● 125	ME 330B4W
	● 250	ME 330B6W
	● 480	ME 330B7W
3 Pole 4 Wire	● 125/250	ME 430B12W
	● 3Ø250	ME 430B9W
	● 380/415	ME 430B6W
	● 3Ø480	ME 430B7W
	● 3Ø600	ME 430B5W
4 Pole 5 Wire	● 3ØY120/208	ME 530B9W
	● 200/346/240/415	ME 530B6W
	● 3ØY277/480	ME 530B7W
	● 3ØY347/600	ME 530B5W

Approximate Dimensions (in inches)

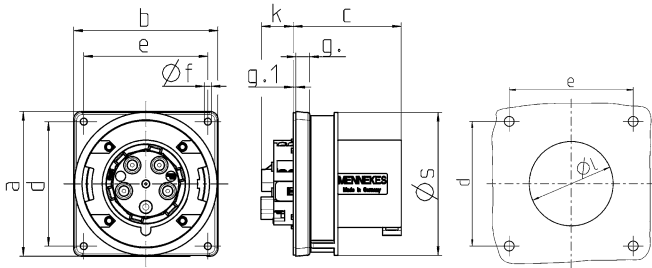
	Wire Configuration		
	2 Pole, 3 Wire	3 Pole, 4 Wire	4 Pole, 5 Wire
a	3.37	3.37	3.37
b	3.37	3.37	3.37
c	3.54	3.54	3.54
d	2.74	2.74	2.74
e	2.74	2.74	2.74
f	0.22	0.22	0.22
g	0.43	0.43	0.43
l	1.85	1.85	1.85
s	3.70	3.70	4.02

**Wiring Devices – Series 60309 Pin and Sleeve
Inlets, 60A - 100A Watertight**

Inlets 60 Amp – Large Industry Standard Flange



For Back Box Information see page 25.



Wire Configuration	Voltage	Catalog Number
2 Pole 3 Wire	● 125	ME 360B4W-L
	● 250	ME 360B6W-L
3 Pole 4 Wire	● 125/250	ME 460B12W-L
	● 3Ø250	ME 460B9W-L
	● 380/415	ME 460B6W-L
	● 3Ø480	ME 460B7W-L
	● 3Ø600	ME 460B5W-L
4 Pole 5 Wire	● 3ØY120/208	ME 560B9W-L
	● 200/346/240/415	ME 560B6W-L
	● 3ØY277/480	ME 560B7W-L
	● 3ØY347/600	ME 560B5W-L

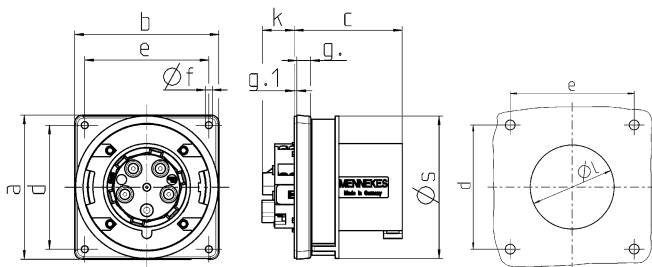
Approximate Dimensions (in inches)

	Wire Configuration		
	2 Pole, 3 Wire	3 Pole, 4 Wire	4 Pole, 5 Wire
a	4.50	4.50	4.50
b	4.50	4.50	4.50
c	3.39	3.39	3.39
d	3.87	3.87	3.87
e	3.87	3.87	3.87
f	0.22	0.22	0.22
g	0.47	0.47	0.47
g.1	0.08	0.08	0.08
k	1.10	1.10	1.10
l	3.48	3.48	3.48
s	4.45	4.45	4.45

Inlets 100 Amp – Large Industry Standard Flange



For Back Box Information see page 25.



Wire Configuration	Voltage	Catalog Number
2 Pole 3 Wire	● 125	ME 3100B4W-L
	● 250	ME 3100B6W-L
	● 480	ME 3100B7W-L
3 Pole 4 Wire	● 125/250	ME 4100B12W-L
	● 3Ø250	ME 4100B9W-L
	● 380/415	ME 4100B6W-L
	● 3Ø480	ME 4100B7W-L
	● 3Ø600	ME 4100B5W-L
4 Pole 5 Wire	● 3ØY120/208	ME 5100B9W-L
	● 200/346/240/415	ME 5100B6W-L
	● 3ØY277/480	ME 5100B7W-L
	● 3ØY347/600	ME 5100B5W-L

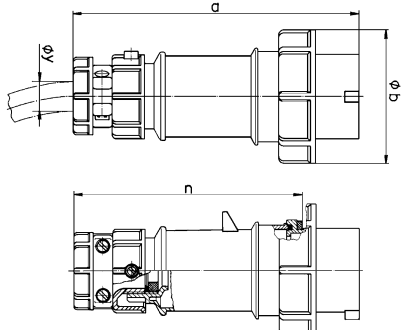
Approximate Dimensions (in inches)

	Wire Configuration		
	2 Pole, 3 Wire	3 Pole, 4 Wire	4 Pole, 5 Wire
a	5.50	5.50	5.50
b	5.50	5.50	5.50
c	4.41	4.41	4.41
d	4.87	4.87	4.87
e	4.87	4.87	4.87
f	0.22	0.22	0.22
g	0.71	0.71	0.71
g.1	0.08	0.08	0.08
k	1.10	1.10	1.10
l	3.74	3.74	3.74
s	5.20	5.20	5.20

**Wiring Devices – Series 60309 Pin and Sleeve
Plugs, 20A-30A, Watertight**

2

Plugs 20 Amp

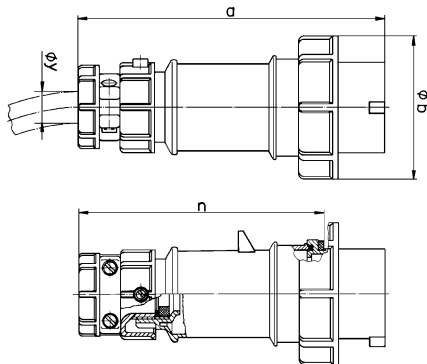


Wire Configuration	Voltage	Catalog Number
2 Pole 3 Wire	● 125	ME 320P4W
	● 250	ME 320P6W
	● 480	ME 320P7W
3 Pole 4 Wire	● 125/250	ME 420P12W
	● 3Ø250	ME 420P9W
	● 380/415	ME 420P6W
	● 3Ø480	ME 420P7W
	● 3Ø600	ME 420P5W
4 Pole 5 Wire	● 3ØY120/208	ME 520P9W
	● 200/346/240/415	ME 520P6W
	● 3ØY277/480	ME 520P7W
	● 3ØY347/600	ME 520P5W

Approximate Dimensions (in inches)

	Wire Configuration		
	2 Pole, 3 Wire	3 Pole, 4 Wire	4 Pole, 5 Wire
a	6.40	6.69	7.28
b	2.76	3.07	3.47
n	4.96	5.26	5.97
y			
Cord Diameter	.36-.76	.36-.76	.45-.94
Threaded Entry (NPT)	3/4	3/4	1

Plugs 30 Amp



Wire Configuration	Voltage	Catalog Number
2 Pole 3 Wire	● 125	ME 330P4W
	● 250	ME 330P6W
	● 480	ME 330P7W
3 Pole 4 Wire	● 125/250	ME 430P12W
	● 3Ø250	ME 430P9W
	● 380/415	ME 430P6W
	● 3Ø480	ME 430P7W
	● 3Ø600	ME 430P5W
4 Pole 5 Wire	● 3ØY120/208	ME 530P9W
	● 200/346/240/415	ME 530P6W
	● 3ØY277/480	ME 530P7W
	● 3ØY347/600	ME 530P5W

Approximate Dimensions (in inches)

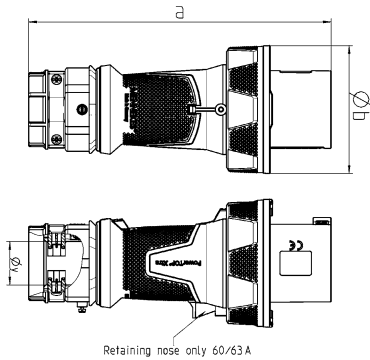
	Wire Configuration		
	2 Pole, 3 Wire	3 Pole, 4 Wire	4 Pole, 5 Wire
a	7.80	7.80	8.43
b	3.70	3.70	3.98
n	6.14	6.14	6.77
y			
Cord Diameter	.43-.94	.43-.94	.43-1.12
Threaded Entry (NPT)	1	1	1 1/4

Wiring Devices – Series 60309 Pin and Sleeve Plugs, 60A-100A, Watertight

Plugs 60 Amp



* Available in splashproof. To order, omit W suffix.

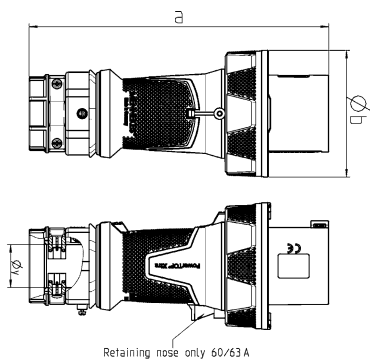


Wire Configuration	Voltage	Catalog Number*
2 Pole 3 Wire	● 125	ME 360P4W
	● 250	ME 360P6W
	● 480	ME 360P7W
3 Pole 4 Wire	● 125/250	ME 460P12W
	● 3Ø250	ME 460P9W
	● 380/415	ME 460P6W
	● 3Ø480	ME 460P7W
	● 3Ø600	ME 460P5W
4 Pole 5 Wire	● 3ØY120/208	ME 560P9W
	● 200/346/240/415	ME 560P6W
	● 3ØY277/480	ME 560P7W
	● 3ØY347/600	ME 560P5W

Approximate Dimensions (in inches)

Wire Configuration	
2 Pole, 3 Wire / 3 Pole, 4 Wire / 4 Pole, 5 Wire	
a	10.6
Ø b	4.5
y Cord Diameter	0.6 - 1.45
Threaded Entry (NPT)	1 1/2

Plugs 100 Amp



Wire Configuration	Voltage	Catalog Number
2 Pole 3 Wire	● 125	ME 3100P4W
	● 250	ME 3100P6W
	● 480	ME 3100P7W
3 Pole 4 Wire	● 125/250	ME 4100P12W
	● 3Ø250	ME 4100P9W
	● 380/415	ME 4100P6W
	● 3Ø480	ME 4100P7W
	● 3Ø600	ME 4100P5W
4 Pole 5 Wire	● 3ØY120/208	ME 5100P9W
	● 200/346/240/415	ME 5100P6W
	● 3ØY277/480	ME 5100P7W
	● 3ØY347/600	ME 5100P5W

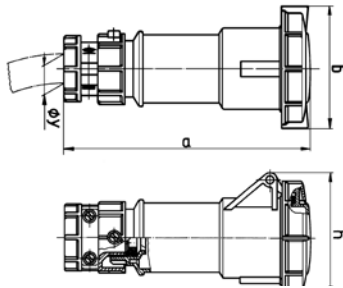
Approximate Dimensions (in inches)

Wire Configuration	
2 Pole, 3 Wire / 3 Pole, 4 Wire / 4 Pole, 5 Wire	
a	12.1
Ø b	5.1
y Cord Diameter	0.96 - 1.92
Threaded Entry (NPT)	2

**Wiring Devices – Series 60309 Pin and Sleeve
Connectors, 20A-30A, Watertight**

2

Connectors 20 Amp

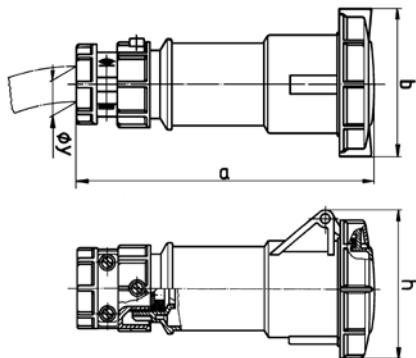


Wire Configuration	Voltage	Catalog Number
2 Pole 3 Wire	● 125	ME 320C4W
	● 250	ME 320C6W
	● 480	ME 320C7W
3 Pole 4 Wire	● 125/250	ME 420C12W
	● 3Ø250	ME 420C9W
	● 380/415	ME 420C6W
	● 3Ø480	ME 420C7W
	● 3Ø600	ME 420C5W
4 Pole 5 Wire	● 3ØY120/208	ME 520C9W
	● 200/346/240/415	ME 520C6W
	● 3ØY277/480	ME 520C7W
	● 3ØY347/600	ME 520C5W

Approximate Dimensions (in inches)

	Wire Configuration		
	2 Pole, 3 Wire	3 Pole, 4 Wire	4 Pole, 5 Wire
a	6.85	7.28	7.92
b	2.84	3.11	3.47
h	3.11	3.47	3.74
y Cord Diameter	.36-.76	.36-.76	.45-.94
Threaded Entry (NPT)	3/4	3/4	1

Connectors 30 Amp



Wire Configuration	Voltage	Catalog Number
2 Pole 3 Wire	● 125	ME 330C4W
	● 250	ME 330C6W
	● 480	ME 330C7W
3 Pole 4 Wire	● 125/250	ME 430C12W
	● 3Ø250	ME 430C9W
	● 380/415	ME 430C6W
	● 3Ø480	ME 430C7W
	● 3Ø600	ME 430C5W
4 Pole 5 Wire	● 3ØY120/208	ME 530C9W
	● 200/346/240/415	ME 530C6W
	● 3ØY277/480	ME 530C7W
	● 3ØY347/600	ME 530C5W

Approximate Dimensions (in inches)

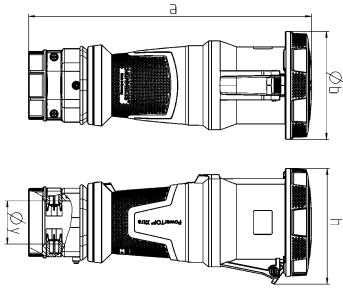
	Wire Configuration		
	2 Pole, 3 Wire	3 Pole, 4 Wire	4 Pole, 5 Wire
a	8.78	8.78	9.18
b	3.78	3.78	4.02
n	3.90	3.90	4.17
y Cord Diameter	.43-.94	.43-.94	.43-1.12
Threaded Entry (NPT)	1	1	1 1/4

**Wiring Devices – Series 60309 Pin and Sleeve
Connectors, 60A-100A, Watertight**

Connectors 60 Amp



* Available in splashproof. To order, omit W suffix.

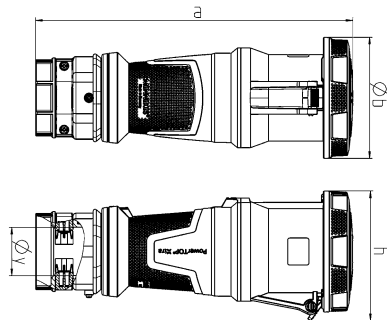


Wire Configuration	Voltage	Catalog Number*
2 Pole 3 Wire	● 125	ME 360C4W
	● 250	ME 360C6W
	● 480	ME 360C7W
3 Pole 4 Wire	● 125/250	ME 460C12W
	● 3Ø250	ME 460C9W
	● 380/415	ME 460C6W
	● 3Ø480	ME 460C7W
	● 3Ø600	ME 460C5W
4 Pole 5 Wire	● 3ØY120/208	ME 560C9W
	● 200/346/240/415	ME 560C6W
	● 3ØY277/480	ME 560C7W
	● 3ØY347/600	ME 560C5W

Approximate Dimensions (in inches)

Wire Configuration	
2 Pole, 3 Wire / 3 Pole, 4 Wire / 4 Pole, 5 Wire	
a	11.6
Ø b	4.5
h	4.85
y Cord Diameter	0.6 - 1.45
Threaded Entry (NPT)	1 1/2

Connectors 100 Amp



Wire Configuration	Voltage	Catalog Number
2 Pole 3 Wire	● 125	ME 3100C4W
	● 250	ME 3100C6W
	● 480	ME 3100C7W
3 Pole 4 Wire	● 125/250	ME 4100C12W
	● 3Ø250	ME 4100C9W
	● 380/415	ME 4100C6W
	● 3Ø480	ME 4100C7W
	● 3Ø600	ME 4100C5W
4 Pole 5 Wire	● 3ØY120/208	ME 5100C9W
	● 200/346/240/415	ME 5100C6W
	● 3ØY277/480	ME 5100C7W
	● 3ØY347/600	ME 5100C5W

Approximate Dimensions (in inches)

Wire Configuration	
2 Pole, 3 Wire / 3 Pole, 4 Wire / 4 Pole, 5 Wire	
a	13
Ø b	5
h	5.3
y Cord Diameter	0.96 - 1.92
Threaded Entry (NPT)	2



Wiring Devices – Series 60309 Pin and Sleeve

Dual-Listed, Receptacles, Plugs and Connectors,  ;  ; 6h, Watertight

Dual-Listed Wiring Devices. 30A-100A / 32A-125A.

2

The MENNEKES range of DUAL CERTIFIED Pin & Sleeve devices have agency approval for use in North America, European and International markets. One device fulfills multiple electrical needs to satisfy global equipment requirements for data centers and server equipment applications.

 Listed to UL1682/1686 and CSA 22.2 181.1, these products are also  Certified and have a **CE** mark. Dual-Listed configurations are rated 30/32A, 60/63A and 100/125A – Offered in 3-Pole 4 wire and 4-Pole 5 wire in the 6 o'clock ground contact position, this range is fully intermateable with like-rate devices from other manufacturers to support universal installation requirements.

MENNEKES Plugs and Connectors have threaded NPT cable entry for direct installation of flexible conduit fittings; costly adaptor fittings are not required. PowerTOP Xtra 60/63A and 100/125A parts feature Valox V-O rated threaded housing with a thermoplastic elastomer finish to enhance handling and facilitate installation. All devices are RoHS compliant with UL Type 4X and IP67 Rating. IP44 Weatherproof devices are also available upon request.



Wiring Devices – Series 60309 Pin and Sleeve

Dual-Listed, Receptacles, Plugs and Connectors,  ;  ; 6h, Watertight

2

Receptacles 30 Amp-100 Amp / 32 Amp-125 Amp



* Available in splashproof. To order, omit W suffix.

Dimension:

30/32A see page 13

60/63A see page 14

100/125A see page 15

Wire Configuration	AMP	Voltage	Catalog Number
3 Pole 4 Wire	30/32	● 380/415	ME 430R6W-L*
4 Pole 5 Wire		● 200/346 ● 240/415	ME 530R6W-L*
3 Pole 4 Wire	60/63	● 380/415	ME 460R6W-L*
4 Pole 5 Wire		● 200/346 ● 240/415	ME 560R6W-L*
4 Pole 5 Wire	100/125	● 200/346 ● 240/415	ME 5100R6W-L

Plugs 30 Amp-100 Amp / 32 Amp-125 Amp



60/63A and 100/125A Plugs: Pilot contact Standard.

* Available in splashproof. To order, omit W suffix.

Dimension:

30/32A see page 20

60/63A see page 21

100/125A see page 21

Wire Configuration	AMP	Voltage	Catalog Number
3 Pole 4 Wire	30/32	● 380/415	ME 430P6W*
4 Pole 5 Wire		● 200/346 ● 240/415	ME 530P6W*
3 Pole 4 Wire	60/63	● 380/415	ME 460P6W-62334C*
4 Pole 5 Wire		● 200/346 ● 240/415	ME 560P6W-62335C*
3 Pole 4 Wire	100/125	● 380/415	ME 4100P6W-62340C
4 Pole 5 Wire		● 200/346 ● 240/415	ME 5100P6W-62357C

Connectors 30 Amp-100 Amp / 32 Amp-125 Amp



* Available in splashproof. To order, omit W suffix.

Dimension:

30/32A see page 22

60/63A see page 23

100/125A see page 23

Wire Configuration	AMP	Voltage	Catalog Number
3 Pole 4 Wire	30/32	● 380/415	ME 430C6W*
4 Pole 5 Wire		● 200/346 ● 240/415	ME 530C6W*
3 Pole 4 Wire	60/63	● 380/415	ME 460C6W*
4 Pole 5 Wire		● 200/346 ● 240/415	ME 560C6W*
3 Pole 4 Wire	100/125	● 380/415	ME 4100C6W
4 Pole 5 Wire		● 200/346 ● 240/415	ME 5100C6W

Marine Grade 100A. Ship to Shore Range.

MENNEKES offers 100A Wiring Devices designed to comply with American Boat and Yacht Council standards. Select standard configuration units with PowerTOP Xtra plug and connector housings.

Marine Grade watertight pin & sleeve wiring devices withstand harsh corrosive marine environments with stainless steel hardware, terminal screws and nickel plated machined contacts.



Receptacles 100 Amp / Dockside Selection



Dimension:
100/125A see page 15

Wire Configuration	AMP	Voltage	Catalog Number
3 Pole 4 Wire	100	● 125/250	ME 4100R12M
		● 125/250	ME 4100R12M-L *
● 3Ø120/208		ME 5100R9M	
● 3Ø120/208		ME 5100R9M-L *	
4 Pole 5 Wire			

* Large Industry Standard Flange

Plugs 100 Amp / Dockside Selection



Dimension:
100/125A see page 21

Wire Configuration	AMP	Voltage	Catalog Number	
3 Pole 4 Wire	100	● 125/250	ME 4100P12M	
		● 3Ø120/208	ME 5100P9M	
4 Pole 5 Wire				

Connectors 100 Amp / Dockside Selection



Dimension:
100/125A see page 23

Wire Configuration	AMP	Voltage	Catalog Number	
3 Pole 4 Wire	100	● 125/250	ME 4100C12M	
		● 3Ø120/208	ME 5100C9M	
4 Pole 5 Wire				

Reefer and Cold Storage Applications & Wiring Device Accessories

Wiring Devices and Switched Receptacles



Plug



Connector



AMAXX® Combination

Device Type	Configuration	Amp	Voltage	Catalog No.
Plug	3 Phase, 4 Wire	32	400-440	ME 432P3W-2175
Receptacle	3 Phase, 4 Wire	32	400-440	ME 432R3W-2123
Connector	3 Phase, 4 Wire	32	400-440	ME 432C3W-2177
Switched & Interlocked Receptacle	3 Phase, 4 Wire	32	400-440	ME 432MI3
AMAXX® Combination 2 Switched & Interlocked Receptacles protected by 2 x 32A Circuit Breakers	3 Phase, 4 Wire	32	400-440	AMX3A-939012

Compliance:

UL Listed 98; Bureau Veritas; Lloyd's Register; Germanischer Lloyd; IEC 60309 - 1; IEC60309 – 2

2

Back Box ordering information



Device Type	Metallic Back Box				Non-Metallic Back Box			
	Catalog No. Std. Flange	Catalog No. Large Flange	NPT HUB	Angle	Catalog No. Std. Flange	Catalog No. Large Flange	NPT HUB*	Angle
20/30A Receptacle	2030BBW-1	2030BBW-2	1"	15°	2030BBWP-1+	2030BBWP-2	1"	20°
20/30A Inlet	2030BBW-1	2030BBW-2	1"	15°	2030BBWP-1	2030BBWP-2	1"	20°
60A Receptacle	60BBW-1	60BBW-2	1 ½"	15°	60BBWP-1	60BBWP-2	1 ½"	20°
60A Inlet	N/A	60BBW-2	1 ½"	15°	N/A	60BBWP-2	1 ½"	20°
100A Receptacle	100BBW-1	100BBW-2	2"	15°	N/A	100BBWP-2	2"	20°
100A Inlet	100BBW-1	100BBW-2	2"	15°	N/A	100BBWP-2	2"	20°

* HUB not included, Rough-in hole provided.
+30A Receptacles require Catalog No. 2030MP Mounting Plate

Protective Cap ordering information



Amp	# of wires	Dimensions (in Inches)	Catalog No.
20	3	2.76 x 1.61	ME 320CAP
20	4	3.11 x 1.61	ME 420CAP
20	5	3.39 x 1.65	ME 520CAP
30	3,4	3.58 x 2.01	ME 3430CAP
30	5	3.90 x 2.05	ME 530CAP
60	3, 4, 5	4.25 x 2.87	ME 60CAP
100	3, 4, 5	4.69 x 3.11	ME 100CAP

Custom Power Distribution
Product information AMAXX® Series

3



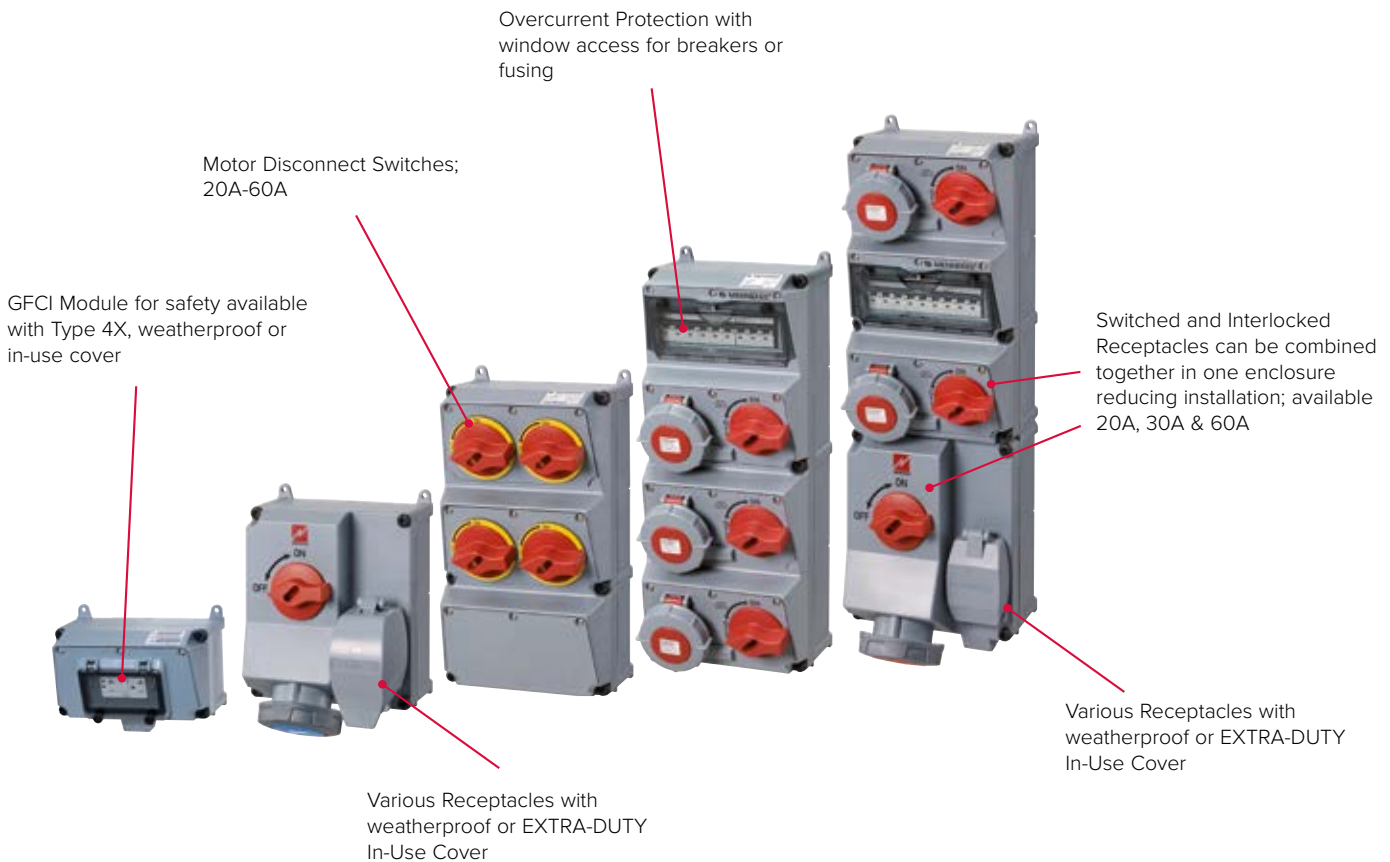
Custom Power Distribution

Product information AMAXX® Series


The right combination for every application.

AMAXX® Customized Power Distribution.

The AMAXX® enclosure system offers you the perfect solution with our new and innovative modular design. AMAXX® allows you to configure a system for your specific requirements with in-stock modules for fast delivery. Select from several installation options including IEC and NEMA receptacles, overcurrent protection choices and disconnect switches.



Features and benefits

-  Listed Enclosure and Cabinet – Type 4X; 12; 3R
- Available in a single gang to a five-gang unit
- Non-metallic hinged enclosure for easy access
- Multiple receptacle options including switched and interlocked IEC 60309 styles
- Overcurrent protection available
- Fully customizable for your application with IEC 60309 products or NEMA devices
- Modular design means many units can ship immediately from our stock
- Field installation can be facilitated with pre-wired option from factory

Custom Power Distribution

Product information AMAXX® Series


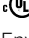
The AMAXX® Enclosure System.

All AMAXX® units begin with a blank enclosure; you select the size needed for your application. One AMAXX® unit can replace multiple installations, saving you labor, material and space. AMAXX® gives you total freedom and flexibility with our new and innovative system. With AMAXX®, you can customize quickly, safely and easily to suit any application.

AMAXX®
by MENNEKES



Compliances:


-  Standard 50 – Enclosure and cut-out box
-  to CSA C22.2 No. 94.1
- Environmental: NEMA 4X, 12, 3R
- UL94 – 5V Rating; UV Stabilized Material

MENNEKES Outlet Covers.

AMAXX® assemblies are fitted with outlet covers to match the quality and durability of the AMAXX® enclosure system. Innovative MENNEKES covers for duplex and GFCI receptacles and 20A-50A NEMA locking devices feature a stainless steel spring and fixing pin. Weatherproof seal is assured with poured-in-place gasket on base plate. Valox material is Corrosion and UV resistant.



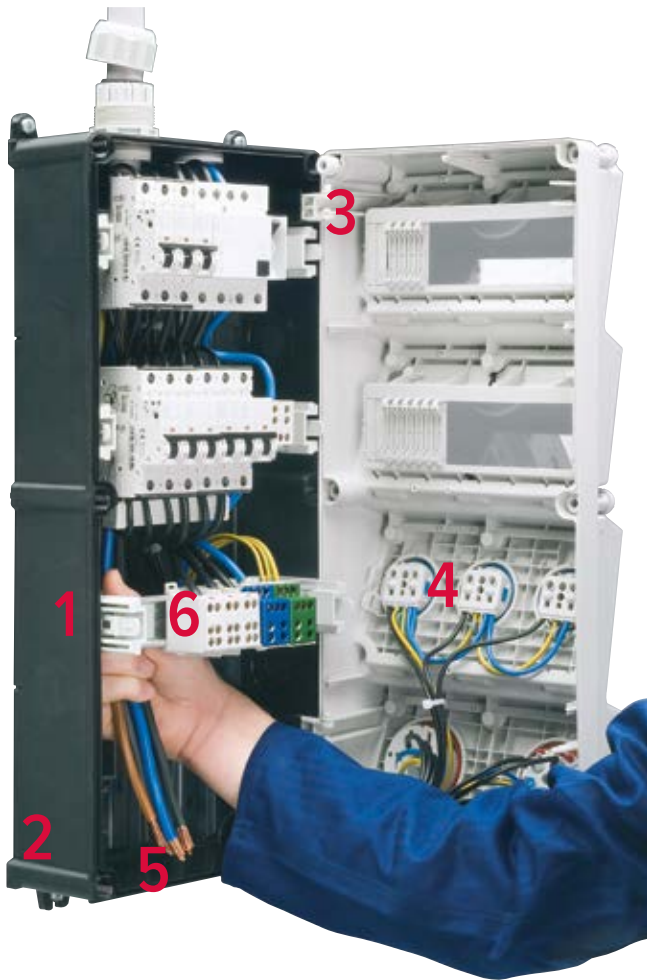
Compliances:

-  Listed to Standards UL 514D and CSA C22.2 no. 42.1
- Type 3R Rating
- Extra Duty In-Use Covers comply to 2014 NEC 406.9 (B)(1) for Wet Locations

Easy to install. The Possibilities are Endless.

Available in single gang to five-gang sizes, AMAXX® non-metallic enclosures and module plates are rated NEMA 4X and molded with Valox thermo-plastic material. Multiple boxes can be ganged together or used individually. Each box is hinged for convenient access to interior components for field wiring requirements.

Order AMAXX® fully wired to expedite installation....you only need to rough-in the enclosure and make final supply and ground terminations. AMAXX® is available in pre-configured combinations with standard module plates, or specify receptacle, switch, control or data port options to meet your installation requirements. With AMAXX®, the possibilities are endless.



- 1 Adjustable DIN Rails**
Allows for easy routing of field wiring when commissioning unit.
- 2 One-man installation**
Molded mounting feet on bottom box reduces rough-in time. Mounting tube system is also available.
- 3 Hinged cover**
Provides easy access to enclosure interior and cover mounted components for field wiring.
- 4 Pre-wired factory assemblies**
Standard for units with over-current protection. Assembled and wired to UL 508A requirements. Three line wiring diagram provided with lay-out of each combination.
- 5 Blank end walls**
Ample mounting area for multiple conduit fittings, sized up to 1½" for larger boxes.
- 6 Line and Ground Terminals**
Sized up to 1/0 based upon load requirement; positioned best for supply terminations.



- Captive cover screws make opening and closing the enclosure fast and easy.

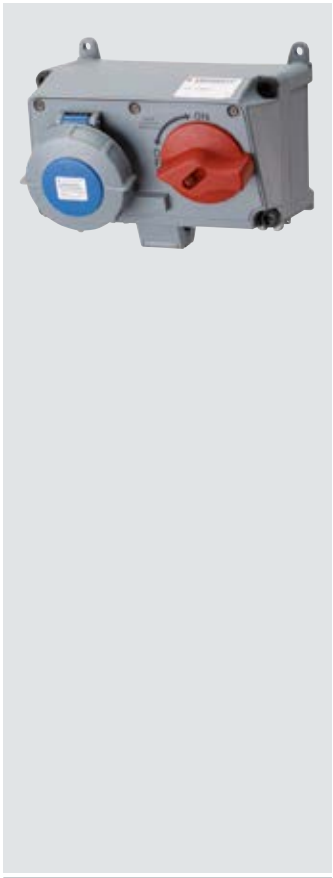


- Pad-lockable window allows access by only authorized personnel.

Custom Power Distribution
AMAXX® Series

Please consult factory for your custom solution – the possibilities are endless. For dimensions, see page 28.

3



Fitted with

1x 20A, 3P, 4W, 9h, 250V
 Switched & Interlocked
 Receptacle

Over Current Protection Device

Enclosure size

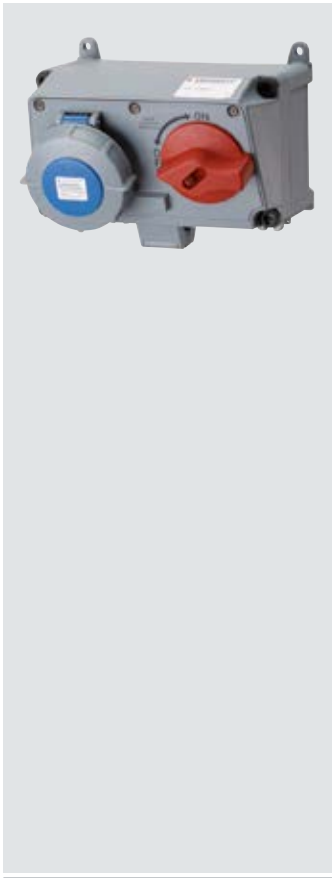
130 x 225 mm (H x W)

Protection type

Type 4X;12

Catalog Number

AMX1A-910381



Fitted with

1x 30A, 3P, 4W, 9h, 250V
 Switched & Interlocked
 Receptacle

Over Current Protection Device

Enclosure size

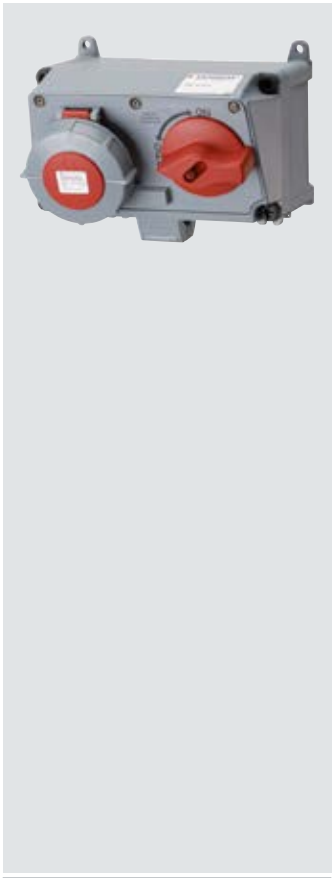
130 x 225 mm (H x W)

Protection type

Type 4X;12

Catalog Number

AMX1A-910385



Fitted with

1x 20A, 3P, 4W, 7h, 480V
 Switched & Interlocked
 Receptacle

Over Current Protection Device

Enclosure size

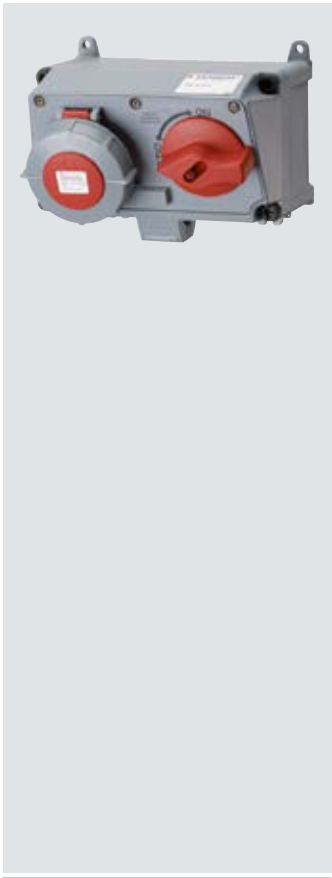
130 x 225 mm (H x W)

Protection type

Type 4X;12

Catalog Number

AMX1A-910380



Fitted with

1x 30A, 3P, 4W, 7h, 480V
 Switched & Interlocked
 Receptacle

Over Current Protection Device

Enclosure size

130 x 225 mm (H x W)

Protection type

Type 4X;12

Catalog Number

AMX1A-910384

Custom Power Distribution
AMAXX® Series

Please consult factory for your custom solution – the possibilities are endless. For dimensions, see page 28.



Fitted with
 1x 20A, 3P, 4W, 5h, 600V
 Switched & Interlocked
 Receptacle

Fitted with
 1x 30A, 3P, 4W, 5h, 600V
 Switched & Interlocked
 Receptacle

Fitted with
 1 x 30A, 2P, 3W, 250V
 NEMA L6-30R Receptacle with
 Weatherproof Cover

 1 x 30A, 3P, 10HP
 Motor Disconnect Switch

Fitted with
 1 x 20A, 2P, 3W 125V
 GFCI Duplex Receptacle
 with 4X Cover

Over Current Protection Device

Over Current Protection Device

Over Current Protection Device

Over Current Protection Device

Enclosure size
 130 x 225 mm (H x W)

Enclosure size
 130 x 225 mm (H x W)

Enclosure size
 130 x 225 mm (H x W)

Enclosure size
 130 x 225 mm (H x W)

Protection type
 Type 4X;12

Protection type
 Type 4X;12

Protection type
 Type 3R

Protection type
 Type 4X

Catalog Number

Catalog Number

Catalog Number

Catalog Number

AMX1A-910383

AMX1A-910386

AMX1A-919011

AMX1A-919003

Custom Power Distribution

AMAXX® Series

Please consult factory for your custom solution – the possibilities are endless. For dimensions, see page 28.

3



Fitted with

1x 60A, 2P, 3W, 6h, 250V Switched & Interlocked Receptacle

Over Current Protection Device

Enclosure size

260 x 225 mm (H x W)

Protection type

Type 4X;12

Catalog Number

AMX2A-360MI6



Fitted with

1x 60A, 2P, 3W, 6h, 250V Switched & Interlocked Receptacle

1x 20A, 2P, 3W, 125V NEMA 5-20R Duplex Receptacle with Weatherproof Cover

Over Current Protection Device

Enclosure size

260 x 225 mm (H x W)

Protection type

Type 3R

Catalog Number

AMX2A-360MI6DPLX



Fitted with

1x 60A, 2P, 3W, 6h, 250V Switched & Interlocked Receptacle

1x 20A, 2P, 3W, 125V NEMA 5-20R GFCI Receptacle with Weatherproof Cover

Over Current Protection Device

Enclosure size

260 x 225 mm (H x W)

Protection type

Type 3R

Catalog Number

AMX2A-360MI6GFI



Fitted with

1x 60A, 2P, 3W, 6h, 250V Switched & Interlocked Receptacle

1x 20A, 2P, 3W, 125V NEMA 5-20R GFCI Receptacle with EXTRA-DUTY In-Use Cover for NEMA

Over Current Protection Device

Enclosure size

260 x 225 mm (H x W)

Protection type

Type 3R

Catalog Number

AMX2A-360MI6GFIU

Custom Power Distribution
AMAXX® Series

Please consult factory for your custom solution – the possibilities are endless. For dimensions, see page 28.

			
Fitted with 1x 60A, 3P, 4W, 9h, 250V Switched & Interlocked Receptacle	Fitted with 1x 60A, 3P, 4W, 9h, 250V Switched & Interlocked Receptacle 1x 20A, 2P, 3W, 125V NEMA 5-20R Duplex Receptacle with Weatherproof Cover	Fitted with 1x 60A, 3P, 4W, 9h, 250V Switched & Interlocked Receptacle 1x 20A, 2P, 3W, 125V NEMA 5-20R GFCI Receptacle with Weatherproof Cover	Fitted with 1x 60A, 3P, 4W, 9h, 250V Switched & Interlocked Receptacle 1x 20A, 2P, 3W, 125V NEMA 5-20R GFCI Receptacle with EXTRA-DUTY In-Use Cover
Over Current Protection Device	Over Current Protection Device	Over Current Protection Device	Over Current Protection Device
Enclosure size 260 x 225 mm (H x W)	Enclosure size 260 x 225 mm (H x W)	Enclosure size 260 x 225 mm (H x W)	Enclosure size 260 x 225 mm (H x W)
Protection type Type 4X;12	Protection type Type 3R	Protection type Type 3R	Protection type Type 3R
Catalog Number AMX2A-460MI9	Catalog Number AMX2A-460MI9DPLX	Catalog Number AMX2A-460MI9GFI	Catalog Number AMX2A-460MI9GFIU

Custom Power Distribution
AMAXX® Series

Please consult factory for your custom solution – the possibilities are endless. For dimensions, see page 28.

3

			
Fitted with 1x 60A, 3P, 4W, 7h, 480V Switched & Interlocked Receptacle	Fitted with 1x 60A, 3P, 4W, 7h, 480V Switched & Interlocked Receptacle 1x 20A, 2P, 3W, 125V NEMA 5-20R Duplex Receptacle with Weatherproof Cover	Fitted with 1x 60A, 3P, 4W, 7h, 480V Switched & Interlocked Receptacle 1x 20A, 2P, 3W, 125V NEMA 5-20R GFCI Receptacle with EXTRA-DUTY In-Use Cover	Fitted with 1x 60A, 3P, 4W, 7h, 480V Switched & Interlocked Receptacle 1x 20A, 2P, 3W, 125V NEMA L5-30R Receptacle with Weatherproof Cover
Over Current Protection Device	Over Current Protection Device	Over Current Protection Device	Over Current Protection Device
Enclosure size 260 x 225 mm (H x W)	Enclosure size 260 x 225 mm (H x W)	Enclosure size 260 x 225 mm (H x W)	Enclosure size 260 x 225 mm (H x W)
Protection type Type 4X;12	Protection type Type 3R	Protection type Type 3R	Protection type Type 3R
Catalog Number AMX2A-460MI7	Catalog Number AMX2A-460MI7DPLX	Catalog Number AMX2A-460MI7GFIU	Catalog Number AMX2A-929021

Custom Power Distribution
AMAXX® Series

Please consult factory for your custom solution – the possibilities are endless. For dimensions, see page 28.



Fitted with

1x 20A, 3P, 4W, 7h, 480V
Switched & Interlocked
Receptacle

1x 20A, 2P, 3W, 125V
GFCI Duplex Receptacle with
4X Cover

Over Current Protection Device

Enclosure size

260 x 225 mm (H x W)

Protection type

Type 4X

Catalog Number

AMX2A-929214



Fitted with

1x 30A, 3P, 4W, 7h, 480V
Switched & Interlocked
Receptacle

1x 20A, 2P, 3W, 125V
GFCI Duplex Receptacle with
4X Cover

Over Current Protection Device

Enclosure size

260 x 225 mm (H x W)

Protection type

Type 4X

Catalog Number

AMX2A-929210



Fitted with

3x 22.5 mm Pilot Devices

1x 30A, 3P, 4W, 480V
Switched & Interlocked
Receptacle

Over Current Protection Device

Enclosure size

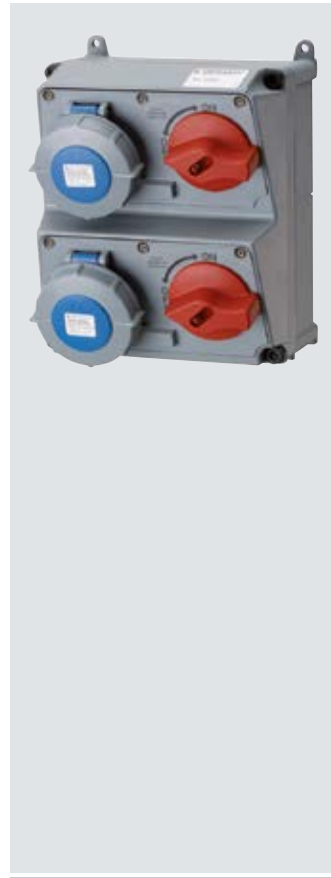
260 x 225 mm (H x W)

Protection type

Type: 4X; 12

Catalog Number

AMX2A-929269



Fitted with

2x 20A, 3P, 4W, 9h, 250V
Switched & Interlocked
Receptacles

Over Current Protection Device

Enclosure size

260 x 225 mm (H x W)

Protection type

Type 4X;12

Catalog Number

AMX2A-922087

Custom Power Distribution AMAXX® Series

Please consult factory for your custom solution – the possibilities are endless. For dimensions, see page 28.

3



Fitted with
2x 30A, 3P, 4W, 9h, 250V
Switched & Interlocked
Receptacles

Over Current Protection Device

Enclosure size
260 x 225 mm (H x W)

Protection type
Type 4X;12

Catalog Number
AMX2A-921499



Fitted with
2x 20A, 3P, 4W, 7h, 480V
Switched & Interlocked
Receptacles

Over Current Protection Device

Enclosure size
260 x 225 mm (H x W)

Protection type
Type 4X;12

Catalog Number
AMX2A-922088



Fitted with
2x 30A, 3P, 4W, 7h, 480V
Switched & Interlocked
Receptacles

Over Current Protection Device

Enclosure size
260 x 225 mm (H x W)

Protection type
Type 4X;12

Catalog Number
AMX2A-921399



Fitted with
1x 20A, 3P, 4W, 9h, 250V
Switched & Interlocked
Receptacle

1x 20A, 2P, 3W, 125V
NEMA 5-20R GFCI Receptacle
with EXTRA-DUTY In-Use Cover

Over Current Protection Device

Enclosure size
260 x 225 mm (H x W)

Protection type
Type 3R

Catalog Number
AMX2A-929082

Custom Power Distribution
AMAXX® Series

Please consult factory for your custom solution – the possibilities are endless. For dimensions, see page 28.



Fitted with

1x 30A, 3P, 4W, 9h, 250V
Switched & Interlocked
Receptacle

1x 20A, 2P, 3W, 125V
NEMA 5-20R GFCI Receptacle
with EXTRA-DUTY In-Use Cover

Over Current Protection Device

Enclosure size

260 x 225 mm (H x W)

Protection type

Type 3R

Catalog Number

AMX2A-929083



Fitted with

1x 20A, 3P, 4W, 7h, 480V
Switched & Interlocked
Receptacle

1x 20A, 2P, 3W, 125V
NEMA 5-20R GFCI Receptacle
with EXTRA-DUTY In-Use Cover

Over Current Protection Device

Enclosure size

260 x 225 mm (H x W)

Protection type

Type 3R

Catalog Number

AMX2A-929084



Fitted with

1x 30A, 3P, 4W, 7h, 480V
Switched & Interlocked
Receptacle

1x 20A, 2P, 3W, 125V
NEMA 5-20R GFCI Receptacle
with EXTRA-DUTY In-Use Cover

Over Current Protection Device

Enclosure size

260 x 225 mm (H x W)

Protection type

Type 3R

Catalog Number

AMX2A-929085



Fitted with

4 x 30A 3P, 600V, 10HP
Motor Disconnect Switches

Over Current Protection Device

Enclosure size

390 x 225 mm (H x W)

Protection type

Type 4X;12

Catalog Number

AMX3A-939003

Custom Power Distribution
AMAXX® Series

Please consult factory for your custom solution – the possibilities are endless. For dimensions, see page 28.

3



Fitted with

3x 20A, 3P, 4W, 9h, 250V
 Switched & Interlocked
 Receptacles

Over Current Protection Device

Enclosure size

390 x 225 mm (H x W)

Protection type

Type 4X;12

Catalog Number

AMX3A-932239



Fitted with

3x 30A, 2P, 3W, 6h, 250V
 Switched & Interlocked
 Receptacles

Over Current Protection Device

Enclosure size

390 x 225 mm (H x W)

Protection type

Type: 4X; 12

Catalog Number

AMX3A-939208



Fitted with

3x 20A, 3P, 4W, 7h, 480V
 Switched & Interlocked
 Receptacles

Over Current Protection Device

Enclosure size

390 x 225 mm (H x W)

Protection type

Type 4X;12

Catalog Number

AMX3A-932976



Fitted with

3x 30A, 3P, 4W, 7h, 480V
 Switched & Interlocked
 Receptacles

Over Current Protection Device

Enclosure size

390 x 225 mm (H x W)

Protection type

Type 4X;12

Catalog Number

AMX3A-932238

Custom Power Distribution
AMAXX® Series

Please consult factory for your custom solution – the possibilities are endless. For dimensions, see page 28.



Fitted with
 2x 20A, 3P, 4W, 9h, 250V
 Switched & Interlocked
 Receptacles

1x 20A, 2P, 3W, 125V
 NEMA 5-20R GFCI Receptacle
 with EXTRA-DUTY In-Use Cover

Over Current Protection Device

Enclosure size
 390 x 225 mm (H x W)

Protection type
 Type 3R

Catalog Number
AMX3A-939060



Fitted with
 2x 30A, 3P, 4W, 9h, 250V
 Switched & Interlocked
 Receptacles

1x 20A, 2P, 3W, 125V
 NEMA 5-20R GFCI Receptacle
 with EXTRA-DUTY In-Use Cover

Over Current Protection Device

Enclosure size
 390 x 225 mm (H x W)

Protection type
 Type 3R

Catalog Number
AMX3A-939061



Fitted with
 2x 20A, 3P, 4W, 9h, 250V
 Switched & Interlocked
 Receptacles

Over Current Protection Device
 2 MCB's 20A, 3P, K

Enclosure size
 390 x 225 mm (H x W)

Protection type
 Type 4X;12

Catalog Number
AMX3A-933222



Fitted with
 2x 30A, 3P, 4W, 9h, 250V
 Switched & Interlocked
 Receptacles

Over Current Protection Device
 2 MCB's 30A, 3P, K

Enclosure size
 390 x 225 mm (H x W)

Protection type
 Type 4X;12

Catalog Number
AMX3A-933224

Custom Power Distribution
AMAXX® Series

Please consult factory for your custom solution – the possibilities are endless. For dimensions, see page 28.

3



Fitted with

2x 20A, 3P, 4W, 7h, 480V Switched & Interlocked Receptacles

 1x 20A, 2P, 3W, 125V NEMA 5-20R GFCI Receptacle with EXTRA-DUTY In-Use Cover

Over Current Protection Device

Enclosure size

390 x 225 mm (H x W)

Protection type

Type 3R

Catalog Number

AMX3A-939064



Fitted with

2x 30A, 3P, 4W, 7h, 480V Switched & Interlocked Receptacles

 1x 20A, 2P, 3W, 125V NEMA 5-20R GFCI Receptacle with EXTRA-DUTY In-Use Cover

Over Current Protection Device

Enclosure size

390 x 225 mm (H x W)

Protection type

Type 3R

Catalog Number

AMX3A-939065



Fitted with

2x CAT 6 Data Port with IP 67 Waterproof Cover

 1x NEMA 5-20R Duplex GFCI Receptacle with TYPE 4X Cover

 1x 20A, 2P, 3W, 120V Switched & Interlocked Receptacle

Over Current Protection Device

Enclosure size

390 x 225 mm (H x W)

Protection type

Type: 4X; 12

Catalog Number

AMX3A-939276



Fitted with

2 x NEMA 5-20R Duplex Receptacles with Weatherproof Covers

 2x 30A, 3P, 4W, 480V Receptacles

Over Current Protection Device

2x MCB's 20A, 1P

 2x MCB's 30A, 3P

Enclosure size

390 x 225 mm (H x W)

Protection type

Type: 3R

Catalog Number

AMX3A-939277

Custom Power Distribution
AMAXX® Series

Please consult factory for your custom solution – the possibilities are endless. For dimensions, see page 28.



Fitted with

2x 20A, 3P, 4W, 7h, 480V
 Switched & Interlocked
 Receptacles

Over Current Protection Device

2 MCB's 20A, 3P, K

Enclosure size

390 x 225 mm (H x W)

Protection type

Type 4X;12

Catalog Number

AMX3A-933223



Fitted with

2x 30A, 3P, 4W, 7h, 480V
 Switched & Interlocked
 Receptacles

Over Current Protection Device

2 MCB's 30A, 3P, K

Enclosure size

390 x 225 mm (H x W)

Protection type

Type 4X;12

Catalog Number

AMX3A-933225



Fitted with

4x 20A, 3P, 4W, 9h, 250V
 Switched & Interlocked
 Receptacles

Over Current Protection Device

Enclosure size

520 x 225 mm (H x W)

Protection type

Type 4X;12

Catalog Number

AMX4A-942998



Fitted with

4x 30A, 3P, 4W, 9h, 250V
 Switched & Interlocked
 Receptacles

Over Current Protection Device

Enclosure size

520 x 225 mm (H x W)

Protection type

Type 4X;12

Catalog Number

AMX4A-943008

Custom Power Distribution
AMAXX® Series

Please consult factory for your custom solution – the possibilities are endless. For dimensions, see page 28.

3



Fitted with
 4x 20A, 3P, 4W, 7h, 480V
 Switched & Interlocked
 Receptacles

Over Current Protection Device

Enclosure size
 520 x 225 mm (H x W)

Protection type
 Type 4X;12

Catalog Number
AMX4A-942988



Fitted with
 4x 30A, 3P, 4W, 7h, 480V
 Switched & Interlocked
 Receptacles

Over Current Protection Device

Enclosure size
 520 x 225 mm (H x W)

Protection type
 Type 4X;12

Catalog Number
AMX4A-943007



Fitted with
 3x 30A, 3P, 4W, 9h, 250V
 Switched & Interlocked
 Receptacles

1x 20A, 2P, 3W, 125V
 NEMA 5-20R GFCI Receptacle
 with EXTRA-DUTY In-Use Cover

Over Current Protection Device

Enclosure size
 520 x 225 mm (H x W)

Protection type
 Type 3R

Catalog Number
AMX4A-949032



Fitted with
 2x 30A, 3P, 4W, 7h, 480V
 Switched & Interlocked
 Receptacles

1x 30A, 3P, 4W, 9h, 250V
 Switched & Interlocked
 Receptacle

1x 20A, 2P, 3W, 125V
 NEMA 5-20R GFCI Receptacle
 with EXTRA-DUTY In-Use Cover

Over Current Protection Device

Enclosure size
 520 x 225 mm (H x W)

Protection type
 Type 3R

Catalog Number
AMX4A-949034

Custom Power Distribution
AMAXX® Series

Please consult factory for your custom solution – the possibilities are endless. For dimensions, see page 28.



Fitted with

3x 20A, 3P, 4W, 9h, 250V
 Switched & Interlocked
 Receptacles

Over Current Protection Device

3 MCB's 20A, 3P, K

Enclosure size

520 x 225 mm (H x W)

Protection type

Type 4X;12

Catalog Number

AMX4A-943233



Fitted with

3x 30A, 3P, 4W, 9h, 250V
 Switched & Interlocked
 Receptacles

Over Current Protection Device

3 MCB's 30A, 3P, K

Enclosure size

520 x 225 mm (H x W)

Protection type

Type 4X;12

Catalog Number

AMX4A-943235



Fitted with

3x 20A, 3P, 4W, 7h, 480V
 Switched & Interlocked
 Receptacles

1x 20A, 2P, 3W, 125V
 NEMA 5-20R GFCI Receptacle
 with EXTRA-DUTY In-Use Cover

Over Current Protection Device

Enclosure size

520 x 225 mm (H x W)

Protection type

Type 3R

Catalog Number

AMX4A-949035



Fitted with

3x 30A, 3P, 4W, 7h, 480V
 Switched & Interlocked
 Receptacles

1x 20A, 2P, 3W, 125V
 NEMA 5-20R GFCI Receptacle
 with EXTRA-DUTY In-Use Cover

Over Current Protection Device

Enclosure size

520 x 225 mm (H x W)

Protection type

Type 3R

Catalog Number

AMX4A-949036

Custom Power Distribution AMAXX® Series

Please consult factory for your custom solution – the possibilities are endless. For dimensions, see page 28.

3



Fitted with

3x 20A, 3P, 4W, 7h, 480V
Switched & Interlocked
Receptacles

Over Current Protection Device

3 MCB's 20A, 3P, K

Enclosure size

520 x 225 mm (H x W)

Protection type

Type 4X;12

Catalog Number

AMX4A-943234



Fitted with

3x 30A, 3P, 4W, 7h, 480V
Switched & Interlocked
Receptacles

Over Current Protection Device

3 MCB's 30A, 3P, K

Enclosure size

520 x 225 mm (H x W)

Protection type

Type 4X;12

Catalog Number

AMX4A-943236



Fitted with

5x 20A, 3P, 4W, 9h, 250V
Switched & Interlocked
Receptacles

Over Current Protection Device

Enclosure size

650 x 225 mm (H x W)

Protection type

Type 4X;12

Catalog Number

AMX5A-951178



Fitted with

5x 30A, 3P, 4W, 9h, 250V
Switched & Interlocked
Receptacles

Over Current Protection Device

Enclosure size

650 x 225 mm (H x W)

Protection type

Type 4X;12

Catalog Number

AMX5A-951184

Custom Power Distribution
AMAXX® Series

Please consult factory for your custom solution – the possibilities are endless. For dimensions, see page 28.



Fitted with
 5x 20A, 3P, 4W, 7h, 480V
 Switched & Interlocked
 Receptacles

Over Current Protection Device

Enclosure size
 650 x 225 mm (H x W)

Protection type
 Type 4X;12

Catalog Number
AMX5A-951176



Fitted with
 5x 30A, 3P, 4W, 7h, 480V
 Switched & Interlocked
 Receptacles

Over Current Protection Device

Enclosure size
 650 x 225 mm (H x W)

Protection type
 Type 4X;12

Catalog Number
AMX5A-951183



Fitted with
 4x 30A, 3P, 4W, 9h, 250V
 Switched & Interlocked
 Receptacles

 1x 20A, 2P, 3W, 125V
 NEMA 5-20R GFCI Receptacle
 with EXTRA-DUTY
 In-Use Cover

Over Current Protection Device

Enclosure size
 650 x 225 mm (H x W)

Protection type
 Type 3R

Catalog Number
AMX5A-959083



Fitted with
 4x 30A, 3P, 4W, 7h, 480V
 Switched & Interlocked
 Receptacles

 1x 20A, 2P, 3W, 125V
 NEMA 5-20R GFCI Receptacle
 with EXTRA-DUTY
 In-Use Cover

Over Current Protection Device

Enclosure size
 650 x 225 mm (H x W)

Protection type
 Type 3R

Catalog Number
AMX5A-959087

Custom Power Distribution AMAXX® Series

Please consult factory for your custom solution – the possibilities are endless. For dimensions, see page 28.

3



Fitted with

3x 20A, 3P, 4W, 9h, 250V
Switched & Interlocked
Receptacles

1x 20A, 2P, 3W, 125V
5-20R NEMA Twin GFCI
Receptacle with EXTRA-DUTY
In-Use Cover

Over Current Protection Device

3x MCB's 20A, 3P, K

1x MCB 20A, 1P, K

Enclosure size

650 x 225 mm (H x W)

Protection type

Type 3R

Catalog Number

AMX5A-959064



Fitted with

3x 30A, 3P, 4W, 9h, 250V
Switched & Interlocked
Receptacles

1x 20A, 2P, 3W, 125V
5-20R NEMA Twin GFCI
Receptacle with EXTRA-DUTY
In-Use Cover

Over Current Protection Device

3x MCB's 30A, 3P, K

1x MCB 20A, 1P, K

Enclosure size

650 x 225 mm (H x W)

Protection type

Type 3R

Catalog Number

AMX5A-959063



Fitted with

1x 60A, 3P, 4W, 7h, 480V
Switched & Interlocked
Receptacle

2x 30A, 3P, 4W, 7h, 480V
Switched & Interlocked
Receptacle

Over Current Protection Device

1x MCB 60A, 3P, K

2x MCB's 30A, 3P, K

Enclosure size

650 x 225 mm (H x W)

Protection type

Type 4X;12

Catalog Number

AMX5A-951484



Fitted with

1x 60A, 3P, 4W, 7h, 480V
Switched & Interlocked
Receptacle

2x 30A, 3P, 4W, 7h, 480V
Switched & Interlocked
Receptacles

1x 20A, 2P, 3W, 125V
5-20R NEMA Twin GFCI
Receptacle with EXTRA-DUTY
In-Use Cover

Over Current Protection Device

1x MCB 60A, 3P, K

2x MCB's 30A, 3P, K

Enclosure size

650 x 225 mm (H x W)

Protection type

Type 3R

Catalog Number

AMX5A-959061

Custom Power Distribution

Product information

Please consult factory for your custom solution – the possibilities are endless.

AMAXX® Carrier frame. Portable Options for AMAXX®.

Portable Stand for AMAXX® 2, 3 and 4 Gang boxes.

AMAXX® Stand Catalog Number: AMX-15696



3

EverMAXX Series Portable Power Distribution.

Get the flexibility and customization of our AMAXX product line in an innovative, rugged and portable design.

Device Options:

- Various Receptacles
 - Pin & Sleeve
 - NEMA Locking Devices
 - Convenience Outlets
- Switched & Interlocked Receptacles
- Overcurrent Protection



Shown:
Switched and Interlocked Receptacle Modules with Overload Protection

Custom Power Distribution

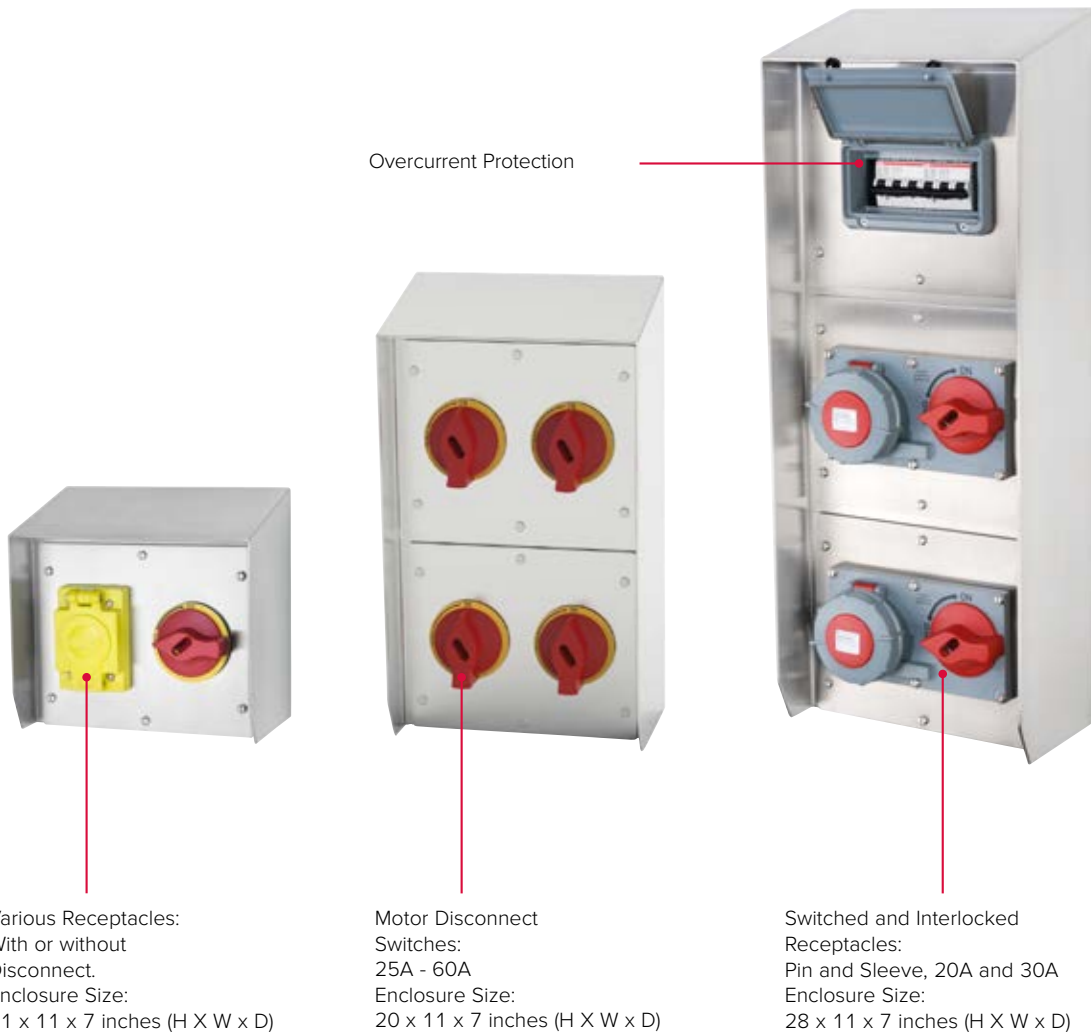
Product information

Please consult factory for your custom solution – the possibilities are endless.


SpecMAXX Power Distribution. Sloped-Top Stainless Steel Enclosure NEMA 4X; 12.

With SpecMAXX, create a custom power distribution center in a NEMA 4X Stainless Steel, Sloped-Top Enclosure. Our superior enclosure design features a 15° sloped roof and drainage channel to facilitate run-off of liquids and contaminants for the ultimate clean installation. Choose from 3 enclosure sizes and various receptacles or motor disconnects; add overcurrent protection if needed. Our unique enclosure system allows you to customize quickly and easily, with SpecMAXX, the possibilities are endless.

3



Features and Benefits:

-  Listed Enclosure, Type 4X; 12
- Available in single gang to three-gang unit
- 15° Sloped-Top for runoff of liquids
- 304 Stainless with low RA value finish
- One piece punched gasket and sealed mounting holes for Type 4X protection
- Removable module plates with captive hardware and retention straps
- Customizable for your application; pre-wired factory combinations available


Custom Power Distribution SpecMAXX Series

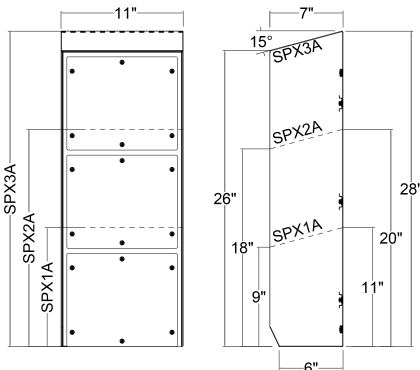
Standard configurations below. Please consult factory for your custom solution.

Module 1	Module 2	Module 3	Catalog No.
2 x 30A 600V 25HP Motor Disconnect Switches			SPX1A-619006
1 x NEMA L16-30R 30A 4W 480V Type 4X Receptacle 1 x 30A 600V 25HP Motor Disconnect Switch			SPX1A-619014
2 x NEMA 5-20R 20A 3W 120V Duplex Receptacles with WP Covers			SPX1A-619018
1 x 420PMI7 20A 4W 480V Switched and Interlocked Receptacle	1 x 420PMI7 20A 4 480V Switched and Interlocked Receptacle		SPX2A-629006
2 x 30A 600V 25HP Motor Disconnect Switches	2 x 30A 600V 25HP Motor Disconnect Switches		SPX2A-629007
1 x 40A 600V 30HP Motor Disconnect Switch; 1 x 60A 600V 40HP Disconnect Switch	2 x 30A 600V 25HP Motor Disconnect Switches		SPX2A-629018
Window Module with Access to 2 x 30A 3P 480V MCB's	1 x 430PMI7 30A 4W 480V Switched and Interlocked Receptacle	1 x 430PMI7 30A 4W 480V Switched and Interlocked Receptacle	SPX3A-639008
1 x 430PMI7 30A 4W 480V Switched and Interlocked Receptacle	1 x 430PMI7 30A 4W 480V Switched and Interlocked Receptacle	1 x 430PMI7 30A 4W 480V Switched and Interlocked Receptacle	SPX3A-639011
2 x 60A 600V 40 HP Motor Disconnect Switches	2 x 30A 600V 25HP Motor Disconnect Switches	2 x 30A 600V 25HP Motor Disconnect Switches	SPX3A- 639012

3

Compliances and Features of enclosures:

-  Listed Standards 50 & 50E; CSA 22.2 No. 94
- 304 Stainless Steel; NEMA 4X; 12
- One Piece Punched Gasket
- Sealed Fixing Holes
- 15° Sloped roofs to facilitate run-off of liquids
- Generous drainage channel
- Shrouded design minimizes component damage



Device Options:

Switched and Interlocked Receptacles

- Pin & Sleeve Style, 20A & 30A in multiple voltages

Motor Disconnects

- 25A – 60A; rated 5-40HP

Overcurrent Protection

- Hinged access to circuit breakers or fusing

Various Receptacles

- Choose from Pin and Sleeve, NEMA, or GFCI options

Switched and Interlocked Receptacles
Product information

4



Switched and Interlocked Receptacles

Product information

Enhanced safety. Fusible or non-fusible.

MENNEKES Switched and Interlocked Receptacles.

Switched and Interlocked Receptacles provide safety and durability in one pre-wired unit. Patented interlock mechanism prohibits the switch from being turned "ON" unless the plug is fully inserted. The plug cannot be removed unless the switch is turned "OFF".

DIN rail and screw mounting of components facilitates maintenance.

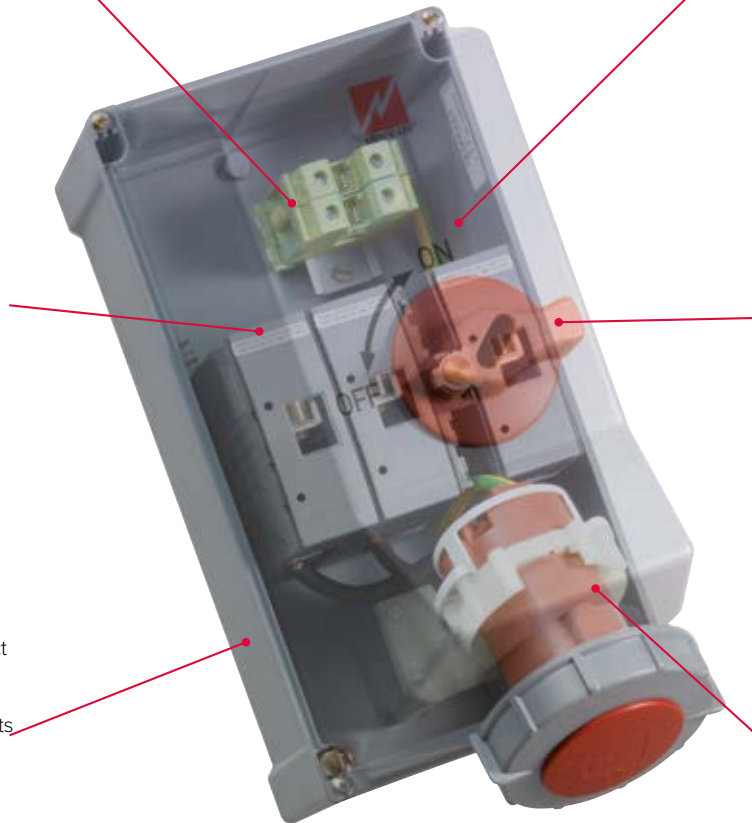
Generous wiring space allows for convenient access to field terminals.

Heavy-duty HP Rated switch factory wired to receptacle. Oversized terminals help ease installation.

High visibility, pad-lockable handle actuates switch and receptacle interlock mechanism to assure "no-load" make and break of plug connected equipment.

NEMA 4X Valox enclosure; impact modified and chemical-resistant. Features poured-in-place gasketing and molded conduit drillpoints in top, bottom and rear wall.

Thermoplastic receptacle available in 20A, 30A, 60A and 100A IEC 60309 configurations. Compatible with like-rate plugs from other manufacturers.



4

Features and benefits

- Factory Wired – Single Unit Construction – Receptacle is pre-wired to the switch for quick installation. Mount with moveable mounting feet to allow for irregular surfaces or utilize the internal mounting tubes when mounting area is limited.
- Switch – Available non-fusible and fusible (30A & 60A). Self-cleaning contacts are driven by solid bridge bar to prevent single phasing of motors. Quick-Make/Quick-Break action provides long electrical life. Positive opening operation protects personnel from welded contacts.
- NEMA 4X; 12 Enclosure – Uses poured-in seamless gasket and stainless fixing screws for the ultimate seal. Impact modified Valox enclosure is resistant to harsh environments. Hidden Hinge System on fusible units eliminates sanitation concerns.
- Padlockable Handle – Rugged high visibility design to comply with OSHA LO/TO requirements. (Reg. 1910.147).
- Auxiliary Contacts – Full range available in N/O and N/C style.

Switched and Interlocked Receptacles

LockOUT-LET Series, Non-Fusible Interlocked, 20, 30 & 60 Amp; NEMA 4X; 12



Amp	Configuration	Voltage	HP Rating Standard	Receptacle Catalog No.	Mating Plug Catalog No.
20	3 Pole, 4 Wire	125/250	1/3	ME 420MI12	ME 420P12W
		3Ø250	7.5	ME 420MI9	ME 420P9W
		3Ø480	15	ME 420MI7	ME 420P7W
		3Ø600	15	ME 420MI5	ME 420P5W
30	2 Pole, 3 Wire	125	2	ME 330MI4	ME 330P4W
		250	5	ME 330MI6	ME 330P6W
		480	10	ME 330MI7	ME 330P7W
30	3 Pole, 4 Wire	125/250	2; 5	ME 430MI12	ME 430P12W
		3Ø250	10	ME 430MI9	ME 430P9W
		3Ø480	20	ME 430MI7	ME 430P7W
		3Ø600	20	ME 430MI5	ME 430P5W
60	4 Pole, 5 Wire	3ØY120/208	7.5	ME 530MI9	ME 530P9W
		3ØY277/480	20	ME 530MI7	ME 530P7W
		3ØY347/600	20	ME 530MI5	ME 530P5W
60	2 Pole, 3 Wire	250	10	ME 360MI6	ME 360P6W
		480	20	ME 360MI7	ME 360P7W
		3 Pole, 4 Wire	125/250	3; 10	ME 460MI12
3Ø250	20		ME 460MI9	ME 460P9W	
3Ø480	40		ME 460MI7	ME 460P7W	
60	4 Pole, 5 Wire	3ØY120/208	20	ME 560MI9	ME 560P9W
		3ØY277/480	40	ME 560MI7	ME 560P7W
		3ØY347/600	50	ME 560MI5	ME 560P5W

4

Compliances and Features:

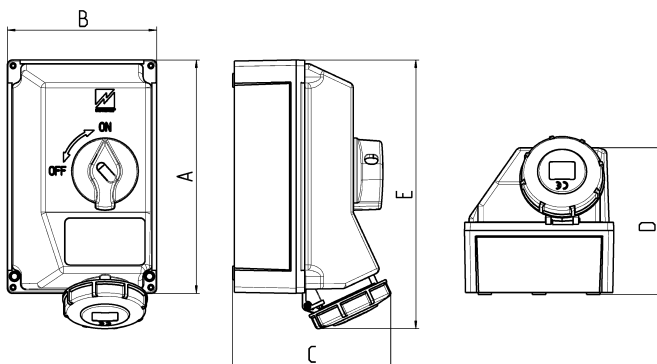
- Standard 508; Industrial Control Equipment
- US to CSA 22.2 No. 4-M91
- Standards 1682; 1686 – Plugs and Receptacles, Pin and Sleeve Style
- IEC 60309-1; IEC 60309-2
- Environmental: NEMA Type 4X; 12
- UL94 – 5V Flame Rating
- UV Stabilized Material
- SCCR – 65kA RMS Symmetrical when protected with equally sized Class J Fuse
- UL Endurance Test:
10,000 Electrical Cycles, 15,000 Mechanical Cycles

AUXILIARY CONTACTS: 10A 600VAC

Description	Catalog No.
For 20 & 30 Amp, 1 N/O and 1 N/C	ME 30AUX
For 60 Amp, 1 N/O and 1 N/C	ME 80AUX

Replacement Switches

Description	Catalog No.
20 Amp	ME 20MIX
30 Amp	ME 30MIX
60 Amp	ME 60MIX



Approximate Dimensions (in inches)

	20 Amp	30 Amp 3, 4 Wire	30 Amp 5 Wire	60 Amp
A	8.86	10.30	8.86	13.00
B	4.65	6.56	4.65	7.00
C	6.77	6.69	6.77	9.25
D	6.63	6.44	6.63	8.38
E	6.50	12.00	6.88	14.62
Hub size	1	1	1	1 1/4

Switched and Interlocked Receptacles

LockOUT-LET Series, Fusible Interlocked, 30 & 60 Amp; NEMA 4X; 12



Amp	Configuration	Voltage	HP Rating Standard	HP Rating Maximum*	Receptacle Catalog No.	Mating Plug Catalog No.
30	2 Pole, 3 Wire	250	1 1/2	5	ME 330MIF6	ME 330P6W
	3 Pole, 4 Wire	125/250	1/2; 1 1/2	2; 5	ME 430MIF12	ME 430P12W
		3Ø250	3	7.5	ME 430MIF9	ME 430P9W
		3Ø480	5	15	ME 430MIF7	ME 430P7W
3Ø600	7 1/2	20	ME 430MIF5	ME 430P5W		
60	2 Pole, 3 Wire	250	3	10	ME 360MIF6	ME 360P6W
	3 Pole, 4 Wire	125/250	1 1/2; 3	3; 10	ME 460MIF12	ME 460P12W
		3Ø250	7.5	15	ME 460MIF9	ME 460P9W
		3Ø480	15	30	ME 460MIF7	ME 460P7W
		3Ø600	15	30	ME 460MIF5	ME 460P5W
4 Pole, 5 Wire	3ØY120/208	7.5	15	ME 560MIF9	ME 560P9W	
	3ØY277/480	15	30	ME 560MIF7	ME 560P7W	
	3ØY347/600	15	50	ME 560MIF5	ME 560P5W	

* Requires use of Time Delay - Fuses not provided.
Fuse Holders for Type J Fuses, CC Available for 30 A Models.

Compliances and Features:

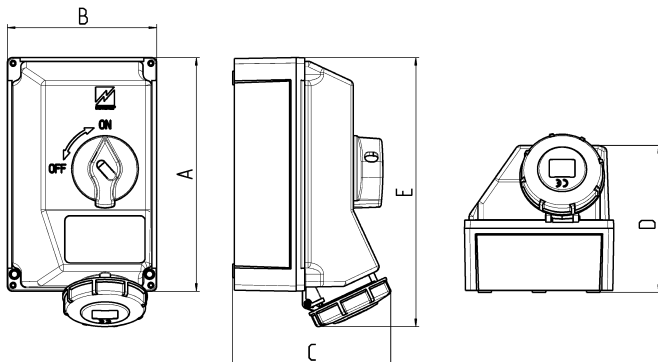
- Standard 98; Enclosed Switches
- to CSA 22.2 No. 4-M89; Enclosed Switches
- Standards 1682; 1686 – Plugs and Receptacles, Pin and Sleeve Style
- IEC 60309-1; IEC 60309-2
- Environmental: NEMA Type 4X; 12
- UL94 – 5V Flame Rating
- UV Stabilized Material
- Switch: 100kAIC Short Circuit Rating
- UL Endurance Test: 6,000 Electrical Cycles, 10,000 Mechanical Cycles
- Removable Type J fuse holders
- Hinged Enclosure for convenient access

AUXILIARY CONTACTS: 10A 600 VAC

Description	Catalog No.
For 30 Amp, 1 N/O or 1 N/C	ME 30FDAUX
For 60 Amp, 1 N/O and 1 N/C	ME 60FDAUX

Replacement Switches

Description	Catalog No.
30 Amp	ME 30XFDSJ
60 Amp	ME 60XFDSJ



Approximate Dimensions (in inches)

	30 Amp	60 Amp
A	10.30	13.00
B	6.56	7.00
C	6.69	9.25
D	6.44	8.38
E	12.00	14.62

Switched and Interlocked Receptacles

LockOUT-LET Series, Non-Fusible Interlocked, 100 Amp; NEMA 4X; 12



Amp	Configuration	Voltage	HP Rating Standard	Receptacle Catalog No.	Mating Plug Catalog No.	
100	2 Pole, 3 Wire	1Ø125	5	ME 3100MI4	ME 3100P4W	
		1Ø250	15	ME 3100MI6	ME 3100P6W	
		1Ø480	30	ME 3100MI7	ME 3100P7W	
	3 Pole, 4 Wire	1Ø 2P 125/250	3Ø250	5/15	ME 4100MI12	ME 4100P12W
			3Ø480	25	ME 4100MI9	ME 4100P9W
			3Ø600	50	ME 4100MI7	ME 4100P7W
			3Ø600	50	ME 4100MI5	ME 4100P5W
	4 Pole, 5 Wire	3ØY120/208	3ØY277/480	25	ME 5100MI9	ME 5100P9W
			3ØY277/480	50	ME 5100MI7	ME 5100P7W
3ØY347/600			50	ME 5100MI5	ME 5100P5W	

4

Compliances and Features:

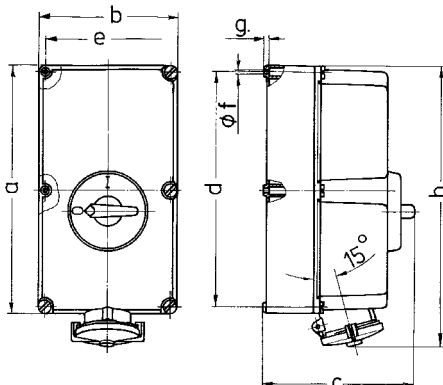
- Standard 508; Industrial Control Equipment
- US to CSA 22.2 No. 4-M89
- Standards 1682; 1686 – Plugs and Receptacles, Pin and Sleeve Style
- IEC 60309-1; IEC 60309-2

AUXILIARY CONTACTS: 10A 600 VAC

Description	Catalog No.
100 Amp, 1 N/O and 1 N/C	ME 80AUX

Replacement Switches

Description	Catalog No.
100 Amp	ME 100MIX



Approximate Dimensions (in inches)

	2 Pole 3 Wire	3 Pole 4 Wire	4 Pole 5 Wire
a	18.11	18.11	18.11
b	10.24	10.24	10.24
c	11.14	11.14	11.14
d	17.09	17.09	17.09
e	9.21	9.21	9.21
f	0.43	0.43	0.43
g	0.35	0.35	0.35
h	20.67	20.67	20.67

Switched and Interlocked Receptacles

FCB Window Series, Fusible Interlocked, 20, 30 & 60 Amp; NEMA 4X; 12

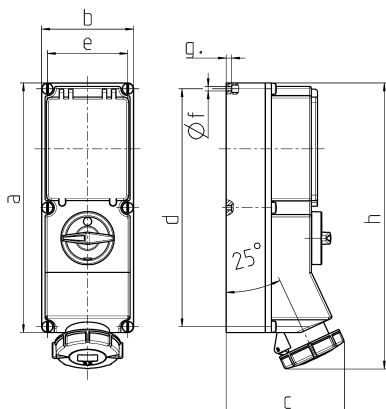


Amp	Configuration	Voltage	MAX. HP RATING +	Catalog No. Fused	Catalog No. Circuit Breaker	Breaker Rated Interruption Capacity
20	3 Pole, 4 Wire	3Ø250	5	ME 420MIF9-JW	ME 420MICB9-10	10kAIC
		3Ø480	10	ME 420MIF7-W	ME 420MICB7-10	10kAIC
30	3 Pole, 4 Wire	3Ø250	7.5	ME 430MIF9-JW	ME 430MICB9-10	10kAIC
		3Ø480	15	ME 430MIF7-JW	ME 430MICB7-10	10kAIC
60	4 Pole, 5 Wire	3ØY277/480	15	ME 530MIF7-JW	ME 530MICB7-10	10kAIC
	3 Pole, 4 Wire	3Ø250	15	ME 460MIF9-JW	ME 460MICB9-10	10kAIC
		3Ø480	30	ME 460MIF7-JW	ME 460MICB7-25	25kAIC
	4 Pole, 5 Wire	3ØY120/208 3ØY277/480	15 30	ME 560MIF9-JW ME 560MIF7-JW	ME 560MICB9-10 ME 560MICB7-25	10kAIC 25kAIC

+ Requires use of time delay fuses with fused Cat. Nos.

Compliances and Features:

- Switch: Standard 508; Industrial Control Equipment
- Receptacles: Standards 1682; 1686 Plugs and Receptacles, Pin and Sleeve Style
- IEC 60309-1; IEC 60309-2
- Environmental: NEMA Type 4X; 12
- UL94 – 5V Flame Rating
- UV Stabilized Material



Approximate Dimensions (in inches)

	20 Amp	30 Amp		60 Amp	
	4 Wire	4 Wire	5 Wire	4 Wire	5 Wire
a	14.33	14.33	14.33	18.11	18.11
b	5.27	5.27	5.27	7.08	7.08
c	6.22	6.49	6.53	7.95	7.95
d	13.66	13.66	13.66	17.32	17.32
e	4.56	4.56	4.56	6.29	6.29
Øf	0.24	0.24	0.24	0.31	0.31
g.	0.31	0.31	0.31	0.31	0.31
h	15.35	15.86	16.02	19.88	19.88

Switched and Interlocked Receptacles

HMI Series, Non-Fusible Interlocked, 20 Amp; NEMA 4X; 12



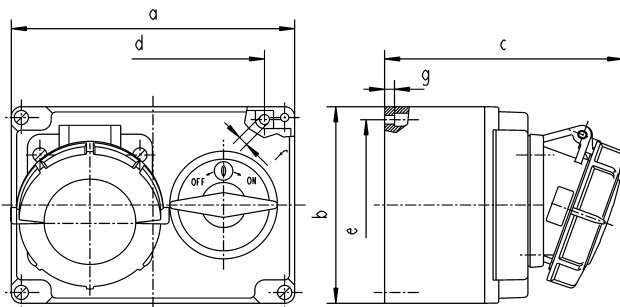
Amp	Configuration	Voltage	HP Rating	Catalog No. *	Mating Plug Catalog No.
20	2 Pole, 3 Wire	125	1	ME 320HMI4	ME 320P4W
		250	2.5	ME 320HMI6	ME 320P6W
		480	5	ME 320HMI7	ME 320P7W
20	3 Pole, 4 Wire	125/250	1; 2.5	ME 420HMI12	ME 420P12W
		3Ø250	5	ME 420HMI9	ME 420P9W
		3Ø480	10	ME 420HMI7	ME 420P7W
		3Ø600	10	ME 420HMI5	ME 420P5W
20	4 Pole, 5 Wire	3ØY120/208	5	ME 520HMI9	ME 520P9W

* Auxiliary Contact Option. Add suffix M2 to CAT. NO. 1 N/O; 1 N/C.

4

Compliances and Features:

- Switch: Standard 508; Industrial Control Equipment
- Receptacles: Standards 1682; 1686 Plugs and Receptacles, Pin and Sleeve Style
- IEC 60309-1; IEC 60309-2
- Environmental: NEMA Type 4X; 12
- UL94 – 5V Flame Rating
- UV Stabilized Material



Approximate Dimensions (in inches)

	2 Pole 3 Wire	3 Pole 4 Wire	4 Pole 5 Wire
a	6.69	6.69	6.69
b	4.62	4.64	4.64
c	5.35	5.47	5.62
d	5.35	5.35	5.35
e	4.09	4.09	4.09
f	0.24	0.24	0.24
g	0.23	0.23	0.23

Switched and Interlocked Receptacles

SPEC Grade Stainless Steel Series, Non-Fusible Interlocked, 20, 30 Amp; NEMA 4X; 12

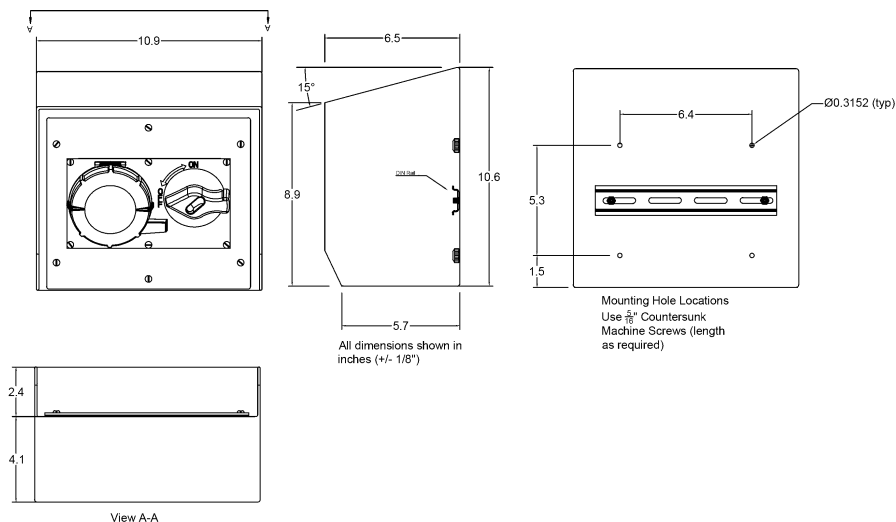


Amp	Configuration	Voltage	HP Rating Standard	Receptacle Catalog No.	Mating Plug Catalog No.
20	2 Pole, 3 Wire	125 250	0.75 1.5	ME 320SLPMI4 ME 320SLPMI6	ME 320P4W ME 320P6W
	3 Pole, 4 Wire	125/250 3Ø250 3Ø480 3Ø600	0.75; 1.5 3 7.5 7.5	ME 420SLPMI12 ME 420SLPMI9 ME 420SLPMI7 ME 420SLPMI5	ME 420P12W ME 420P9W ME 420P7W ME 420P5W
	4 Pole, 5 Wire	3ØY120/208 3ØY277/480 3ØY347/600	3 7.5 7.5	ME 520SLPMI9 ME 520SLPMI7 ME 520SLPMI5	ME 520P9W ME 520P7W ME 520P5W
30	2 Pole, 3 Wire	125 250	1.5 3	ME 330SLPMI4 ME 330SLPMI6	ME 330P4W ME 330P6W
	3 Pole, 4 Wire	125/250 3Ø250 3Ø480 3Ø600 380-440	1.5; 3 7.5 15 15 10	ME 430SLPMI12 ME 430SLPMI9 ME 430SLPMI7 ME 430SLPMI5 ME 432SLPMI3	ME 430P12W ME 430P9W ME 430P7W ME 430P5W ME 432P3W-2175
	4 Pole, 5 Wire	3ØY120/208 3ØY277/480 3ØY347/600	7.5 15 15	ME 530SLPMI9 ME 530SLPMI7 ME 530SLPMI5	ME 530P9W ME 530P7W ME 530P5W

Add Suffix "-MF" for units with external mounting feet which provide 1" standoff.

Compliances and Features:

- Standard 508; Industrial Control Equipment
- us to CSA 22.2 No. 4-M91
- Standards 1682; 1686 – Plugs and Receptacles, Pin and Sleeve Style
- IEC 60309-1; IEC 60309-2
- Environmental: UL Type 4X; 12
- SCCR – 10 kA RMS Symmetrical when protected with equally sized Class J Fuse
- UL Endurance Test: 10,000 Electrical Cycles, 15,000 Mechanical Cycles





5

CDS/DS Series.

Product Highlights.

Poured-in-place gasket never pulls out for a long lasting NEMA 4X, IP 69K seal.

HP rated disconnect switch with early break auxiliary contacts for VFD Interface. DIN rail mounting facilitates installation and service requirements.

Threaded brass inserts provide secure cover seal

Impact modified enclosure is resistant to many chemicals, constructed with UV stabilized material with UL94 V0 flame rating.

Industry first clean profile sheds water.

Rugged handle clearly indicates ON/OFF status & complies with OSHA LO/TO regulations.



Product shown:
 ME 30CDS1A-M2

Mount directly with watertight closure caps. Same mounting pattern as MENNEKES HDI Disconnects.

Captive stainless steel fixing screws.



External Mounting Feet to Industry Standard Footprint

Provided standard for alternate mounting means.

5

Laser Markings and High Visibility Handle



Clean design does not "puddle" or hold particles.

Labelless markings for permanent rating identification

Model with Installed Control Switch




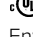
Disconnects with 3-position selector switch are factory stocked. Other control devices available upon request.

Motor Disconnect Switches and Specialty Enclosures

CDS Series; Non-Fusible, 30 Amp



Compliances and Performance:

- NSF Certified
- "Suitable as Motor Disconnect" per 2002 NEC Article 430-109(a)(6)
-  Standard 508
-  to CSA 22.2 No. 14-M95
- Environmental: NEMA Type 4X; 12
- Flame Rating: UL 94-5VA and VO
- UV Stabilized Material
- SCCR – 65 kA RMS Symmetrical when protected with equally sized Class J Fuse

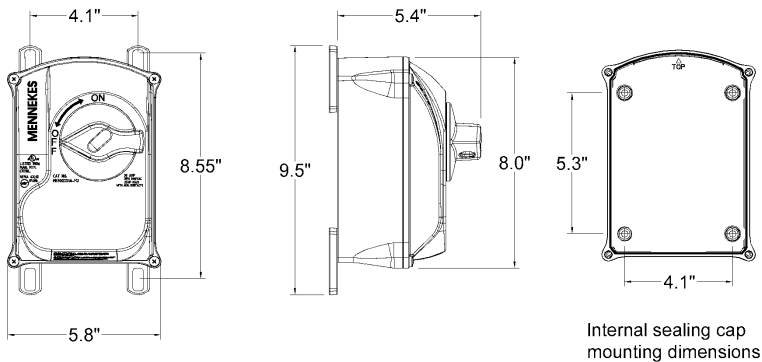
HP Ratings				Catalog Number (with Aux Contacts)*	Catalog Number with 3 Position Selector Switch	Replacement Switch Block	Field Mountable Auxiliary Contacts
1 Ø 240VAC	3 Ø 240VAC	3Ø 480VAC	3 Ø 600VAC				

CDS Clean Disconnect

30A	5	10	20	25	ME 30CDS1A-M2	ME 30CDS1A-M2PSX	ME 32XMS1-M2	ME 20AUX
-----	---	----	----	----	---------------	------------------	--------------	----------

* Auxiliary Contacts; 1 N/O & 1 N/C

5



Motor Disconnect Switches and Specialty Enclosures
DS Series; Non-Fusible, 25, 30 & 40 Amp



Compliances and Performance:

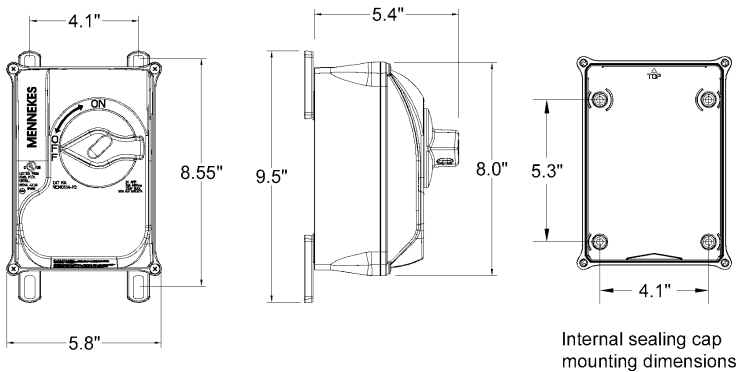
- NSF Certified
- "Suitable as Motor Disconnect" per 2002 NEC Article 430-109(a)(6)
- Standard 508
- to CSA 22.2 No. 14-M95
- Environmental: NEMA Type 4X; 12
- Flame Rating: UL 94-5VA and VO
- UV Stabilized Material
- SCCR – 65 kA RMS Symmetrical when protected with equally sized Class J Fuse

HP Ratings				Catalog Number (with Aux Contacts)*	Catalog Number with 3 Position Selector Switch	Replacement Switch Block	Field Mountable Auxiliary Contacts
1 Ø 240VAC	3 Ø 240VAC	3Ø 480VAC	3 Ø 600VAC				

DS Industrial Disconnect

25A	3	7.5	15	20	ME 20DS1A-M2	ME 20DS1A-M2PSX	ME 20XMS1-M2	ME 20AUX
30A	5	10	20	25	ME 30DS1A-M2	ME 30DS1A-M2PSX	ME 32XMS1-M2	ME 20AUX
40A	5	15	25	30	ME 40DS1A-M2	ME 40DS1A-M2PSX	ME 30XMS1-M2	ME 30AUX

* Auxiliary Contacts; 1 N/O & 1 N/C



Motor Disconnect Switches and Specialty Enclosures
HDI Series, Non-Fusible, 20 - 200 Amp; NEMA 4X; 12



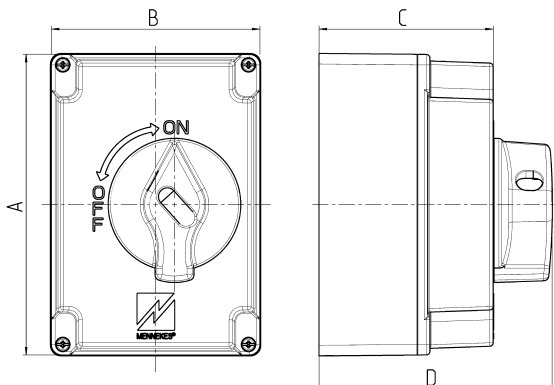
Compliances and Performance:

- "Suitable as Motor Disconnect" per 2002 NEC Article 430-109(a)(6)
- Standard 508
- to CSA 22.2 No. 14-M95
- Environmental: NEMA Type 4X; 12
- Flame Rating: UL 94-5VA and VO
- UV Stabilized Material
- SCCR – 65 kA RMS Symmetrical when protected with equally sized Class J Fuse

	HP Ratings				Catalog No. (with Aux Contacts)*	With Installed 3 Position Selector Switch	Replacement Switch Block	Field Mountable Auxiliary Contacts
	1 Ø 240VAC	3 Ø 240VAC	3Ø 480VAC	3 Ø 600VAC				
Large Enclosure								
25A	3	7.5	15	20	ME 20MS2A-M2	ME 20MS2A-M2PSX	ME 20XMS1-M2	ME 20AUX
30A	5	10	20	25	ME 30MS2A-M2	ME 30MS2A-M2PSX	ME 30XMS1-M2	ME 30AUX
60A	7.5	15	30	40	ME 60MS2A-M2	ME 60MS2A-M2PSX	ME 40XMS2-M2	ME 30AUX
80A	10	25	50	50	ME 80MS2A-M2	ME 80MS2A-M2PSX	ME 80XMS2-M2	ME 80AUX
100A	15	25	50	50	ME 100MS2A-M2	ME 100MS2A-M2PSX	ME 100XMS2-M2	ME 80AUX
125A					ME 125MS3A-M2		ME 125XMS3-M2	ME 125AUX-C & ME 60FDAUX-0
200A					ME 200MS6A-M2			ME 200AUX
6 Pole Disconnects								
30A	5	10	20	25	ME 306MS2A-M2		306XMS2-M2	ME 30AUX
60A	7.5	15	30	40	ME 606MS2A-M2		606XMS2-M2	ME 30AUX
80A	10	25	40	50	ME 806MS3A-M2		806XMS3-M2	ME 80AUX

5

Auxiliary Contacts - 10A@ 600Vac 1 N/O & 1 N/C



Approximate Dimensions (in inches)

	MS2A
A	10.31
B	6.56
C	5.03
D	6.25

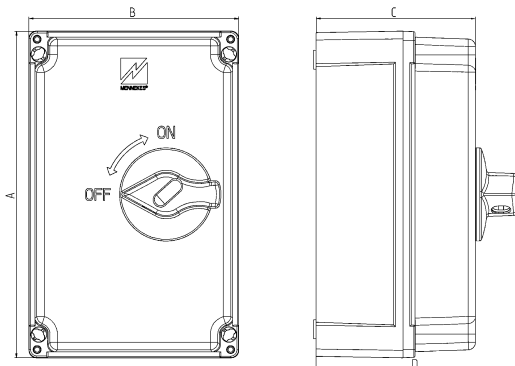
Motor Disconnect Switches and Specialty Enclosures
FDS Non-Metallic Series, Fusible, 30, 60 & 100 Amp; NEMA 4X; 12



Compliances and Performance:

- Standard 98
- US to CSA 22.2 No. 4-M89, Enclosed Switches
- Environmental: NEMA Type 4X; 12
- Flame Rating: UL 94-5VA and VO
- Continuous Operating Temperature -40°C to +60°C
- UV Resistance: Enclosure and Handle Materials are UV Stabilized
- UL Endurance Test: 6,000 Electrical Cycles / 10,000 Mechanical Cycles
- UL Minimum Short Circuit Rating: 100,000 RMS Symmetrical Amperes with Type J Fuses

	UL Fuse Type (not provided)	MAX HP WITH FUSES			Catalog No.*	Replacement Switch Block	Field Mountable Auxiliary Contacts
		3 Ø 240VAC	3Ø 480VAC	3 Ø 600VAC			
30A	J	7.5	15	20	ME 30FDS2A	ME 30XFDSJ	ME 30FDAUX
30A	CC	7.5	15	20	ME 30FDS2A-CC	ME 30XFDSCC	ME 30FDAUX
60A	J	15	30	50	ME 60FDS3A	ME 60XFDSJ	ME 60FDAUX
100A	J	30	60	75	ME 100FDS3A	ME 100XFDSJ	ME 100FDAUX



Approximate Dimensions (in inches)

	30 Amp	60 Amp	100 Amp
A	10.31	14.50	14.50
B	6.56	12.25	12.25
C	5.03	7.69	7.69
D	6.25	9.63	9.63

Motor Disconnect Switches and Specialty Enclosures

SPEC Grade Stainless Steel Series, Non-Fusible, 25, 30, 40, 60 & 100 Amp; NEMA 4X; 12



Compliances and Performance:

- "Suitable as Motor Disconnect" per 2002 NEC Article 430-109(a)(6)
- Standard 508
- to CSA 22.2 No. 14-M95
- Environmental: UL Type 4X; 12
- UV Resistance: Handle Material is UV Stabilized
- In-House Endurance Testing: 10,000 Electrical Cycles / 100,000 Mechanical Cycles
- SCCR – 65kA RMS Symmetrical when protected with equally sized Class J Fuse

HP Ratings			
1 Ø	3 Ø	3Ø	3 Ø
240VAC	240VAC	480VAC	600VAC

Catalog No.
(with Aux Contacts)*

Replacement Switch Block

Field Mountable Auxiliary
Contacts

Units with External Mounting Tabs; switch mounted to DIN Rail.

30A	5	10	20	25	ME 30SLP-M2-MF	ME 32XMS1-M2	ME 20AUX
30A	5	10	20	25	ME 30SLP2A-M2-MF	ME 30XSLP-M2	ME 20AUX
40A	5	15	25	30	ME 40SLP2A-M2-MF	ME 40XSLP-M2	ME 30AUX
60A	7.5	15	30	40	ME 60SLP2A-M2-MF	ME 60XSLP-M2	ME 30AUX
100A	15	25	50	50	ME 100SLP3A-M2-MF	ME 100XSLP-M2	ME 80AUX

6 Pole Disconnects

30A	5	10	20	25	ME 306SLP2A-M2-MF		ME 20AUX
-----	---	----	----	----	--------------------------	--	----------

Units with Internal Mounting Holes; Switch Mounted to Cover+

30A	5	10	20	25	ME 30SLP1A-M2	ME 30XST1-M2	ME 30FSAUX
-----	---	----	----	----	----------------------	--------------	------------

Units with Internal Mounting Holes; Switch Mounted to DIN Rail+

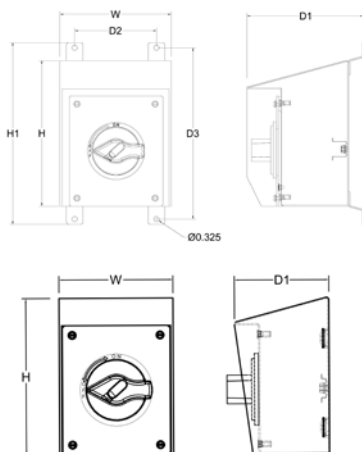
30A	5	10	20	25	ME 30SLP2A-M2	ME 30XSLP-M2	ME 20AUX
40A	5	15	25	30	ME 40SLP2A-M2	ME 40XSLP-M2	ME 30AUX
60A	7.5	15	30	40	ME 60SLP2A-M2	ME 60XSLP-M2	ME 30AUX
100A	15	25	50	50	ME 100SLP3A-M2	ME 100XSLP-M2	ME 80AUX
100A	20	40	75	75	ME 100SLP4A-M2	ME 125XMS3-M2	ME 125AUX

6 Pole Disconnects

30A	5	10	20	25	ME 306SLP2A-M2		ME 20AUX
30A	5	10	20	25	ME 306SLP3A-M2		ME 20AUX

*Auxiliary Contacts; 1 N/O & 1 N/C

+Consult factory for mounting plate options





Approximate Dimensions (in inches)

	SLP-MF	SLP2A-MF	SLP3A-MF	SLP1A	SLP	SLP2A	SLP3A	SLP4A
H	7.5	8.9	11.7	5.7	7.5	8.9	11.7	14.7
W	5.5	6.8	7.6	4.7	5.5	6.8	7.6	13.2
D1	9.13	7.4	7.4	4.6	4.6	6.2	6.2	7.2
D2	4.1	5	5.8					
D3	8.6	10.5	13.2					

Motor Disconnect Switches and Specialty Enclosures
SDS Stainless Steel Series, 30 -100 Amp



Compliances and Performance:

- "Suitable as Motor Disconnect" per 2002 NEC Article 430-109(a)(6)
-  Standard 508
-  to CSA 22.2 No. 14-M95
- Environmental: NEMA Type 4X; 12: IP 69K
- UV Resistance: Handle Material is UV Stabilized
- In-House Endurance Testing: 10,000 Electrical Cycles / 100,000 Mechanical Cycles
- SCCR - 65 kA RMS Symmetrical at Full Rate Current with Class J Fuses

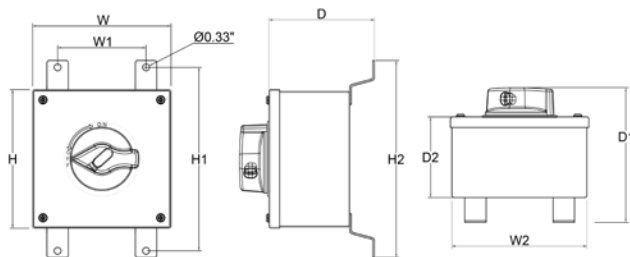
HP Ratings

Catalog No.
(with aux. contacts)

	Number of Poles	1 Ø 240VAC	3 Ø 240VAC	3Ø 480VAC	3 Ø 600VAC	
30A	3	5	10	20	25	ME 30SDS-M2-MF
60A	3	7.5	15	30	40	ME 60SDS2A-M2-MF
100A	3	15	25	50	50	ME 100SDS2A-M2-MF

6 Pole Disconnects

30A	6	5	10	20	25	ME 306SDS2A-M2-MF
60A	6	7.5	15	30	40	ME 606SDS2A-M2-MF



Approximate Dimensions (in inches)

	SDS-MF	SDS2A-MF
H	6.46	10.31
H1	8.55	11.63
H2	9.19	12.27
W	6.46	7.92
W1	4.13	5.50
W2	6.30	7.76
D	4.92	5.58
D1	6.28	6.94
D2	3.76	4.42

Motor Disconnect Switches and Specialty Enclosures
SLP Stainless Steel Series, Fusible, 30 & 60 Amp; NEMA 4X; 12

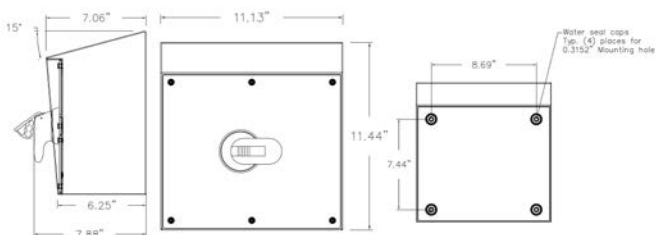


Compliances and Performance:

- Standard 98. Suitable as Branch Circuit Protective Device per NEC Article 430-109(a)(6)
- Environmental: NEMA Type 4X; 12
- Continuous Operating Temperature -40°C to +60°C
- UV Resistance: Handle Material is UV Stabilized
- UL Endurance Test: 6,000 Electrical Cycles / 10,000 Mechanical Cycles
- UL Minimum Short Circuit Rating: 100,000 RMS Symmetrical Amperes with Type J Fuses

	UL Fuse Type (not provided)	MAX HP WITH FUSES			Catalog No.	Replacement Handle	Field Mountable Auxiliary Contacts
		3 Ø 240VAC	3Ø 480VAC	3 Ø 600VAC			
30A 60A	Class J 30A amx Class J 60A Max	7.5 15	15 30	20 50	ME 30SLPF1A ME 60SLPF1A	STF-RH STF-RH	30FDAUX 60FDAUX

5



Approximate Dimensions (in inches)

	Standard Enclosure
A	6.44
B	6.00
C	9.13
D	10.00
E	10.75
F	10.31
G	11.50
H	8.15
I	8.00
K	6.38

Motor Disconnect Switches and Specialty Enclosures

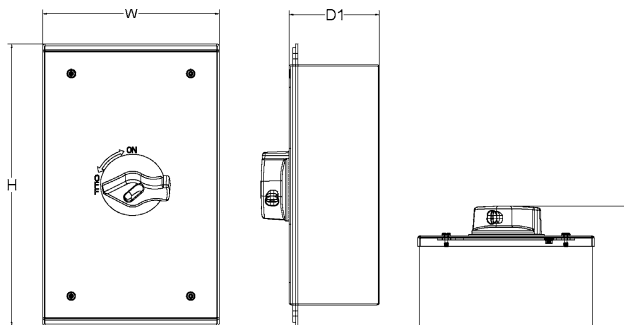
FM Flush Mounted Stainless Steel, Non-Fusible Motor Disconnect Switches, 30, 60 & 100 Amp, NEMA 4X; 12



Compliances and Performance:

- Suitable as Motor Disconnect per 2002 NEC Article 430-109(a)(6)
- Standard 508 Assemblies
- to CSA 22.2 No. 14-M95
- Environmental: NEMA Type 4X; 12; IP69K
- UV Resistance: Handle Material is UV Stabilized
- In-House Endurance Testing: 10,000 Electrical Cycles/100,000 Mechanical Cycles
- SCCR - 65kA RMS Symmetrical at Full Rate Current with Class J Fuses

	HP Ratings				With aux. contacts	Replacement Switch Block
	1 Ø 240VAC	3 Ø 240VAC	1 Ø 480VAC	3 Ø 600VAC		
30A	5	10	20	25	ME 30FM2A-M2	ME 30XMS1-M2
60A	7.5	15	30	40	ME 60FM3A-M2	ME 40XMS2-M2
100A	15	25	50	50	ME 100FM3A-M2	ME 100XMS2-M2



Approximate Dimensions (in inches)

	FM2	FM3A
D1	4.1	4.1
D2	5.5	5.5
H	8.2	13.0
W	8.1	8.1

Motor Disconnect Switches and Specialty Enclosures

SPEC Grade Stainless Steel Series, Pushbutton Enclosures, Junction Boxes, NEMA 4X; 12

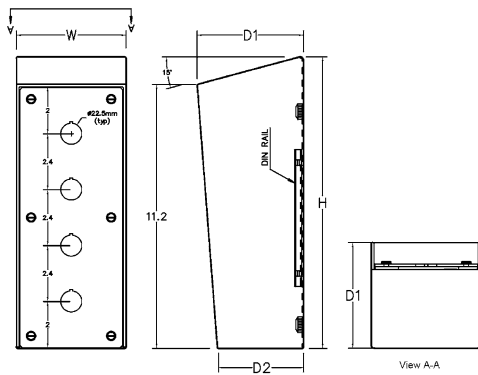


Number of Holes	Hole Size (mm)	Catalog No.
1	22.5	SLPB1A
1	30.5	SLPB1A-30.5
2	22.5	SLPB2A
2	30.5	SLPB2A-30.5
3	22.5	SLPB3A
3	30.5	SLPB3A-30.5
4	22.5	SLPB4A
4	30.5	SLPB4A-30.5

Compliances and Performance:

- cUL_{us} Listed to UL 50/50E - CSA 22.2 No. 94
- Type 4X, 12, 3R and IP 69k

Optional Mounting Accessory: Stainless Steel Plate with 3/4" Stands-Offs.



Approximate Dimensions (in inches)

	Catalog No.			
	SLPB1A	SLPB2A	SLPB3A	SLPB4A
D1	4.50	4.50	4.50	4.50
D2	3.70	3.70	3.70	3.70
H	5.70	7.60	10.00	12.30
W	4.70	4.70	4.70	4.70
#PB Holes	1	2	3	4

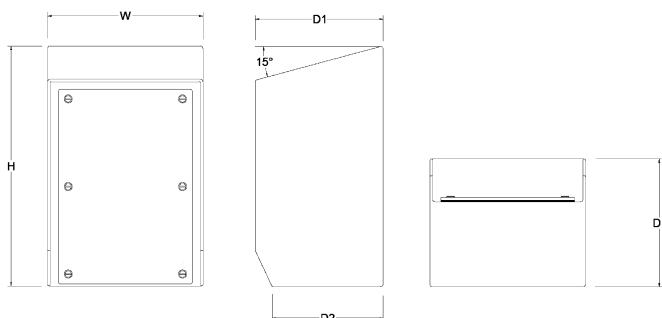
5



Size	Catalog No.
Small	SLP1A-BLK
Medium	SLP2A-BLK
Large	SLP3A-BLK
Horizontal	SLPMI-BLK

Compliances and Performance:

- cUL_{us} Listed to UL 50/50E - CSA 22.2 No. 94
- Type 4X, 12, 3R and IP 69k



Approximate Dimensions (in inches)

	Catalog No.			
	SLP1A-BLK	SLP2A-BLK	SLP3A-BLK	SLPMI-BLK
D1	4.50	6.20	6.20	6.50
D2	3.70	6.20	5.40	5.70
H	5.70	8.90	11.70	10.60
W	4.70	6.80	7.50	10.90


Motor Disconnect Switches and Specialty Enclosures

FS Series, Non-Fusible, 30 Amp

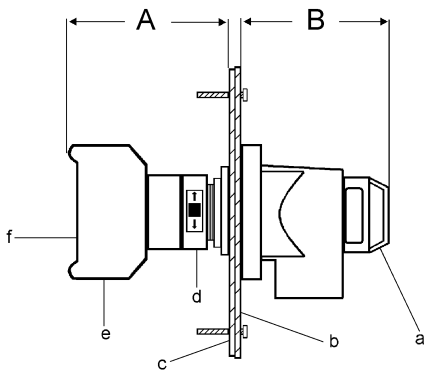


Shown with Weatherproof FS Plate.

Compliances and Performance:

- Suitable as Motor Disconnect per 1999 NEC Article 430-109(a)(6)
- Switch:  Standard 508
- Padlockable handle complies with OSHA LO/TO regulations

	HP Ratings						With FS Plate*		Handle and Switch only	
	1 Ø 120VAC	3 Ø 120VAC	1 Ø 240VAC	3 Ø 240VAC	1 Ø 480/600VAC	3 Ø 480/600VAC	Catalog No. (with aux. contacts)	Catalog No. (without aux. contacts)	Catalog No. (with aux. contacts)	Catalog No. (without aux. contacts)
30	1	2	2.5	5	5	10	ME 30FSP-M2	ME 30FSP	ME 30FS-M2	ME 30FS



Approximate Dimensions (in inches)

	Dimensions	Description
A	2.45	a - padlockable handle
B	1.75	b - FS plate pre-drilled with installed handle
		c - gasket
		d - lock/release mechanism to attach switch body to plate and handle

UL 1686 C1 Configured Switched Receptacles and Plugs
Product information



6

Safer. Easier. Better.

MENNEKES MSR Series Interlocked Receptacles.

Generous wiring space facilitates field installation.

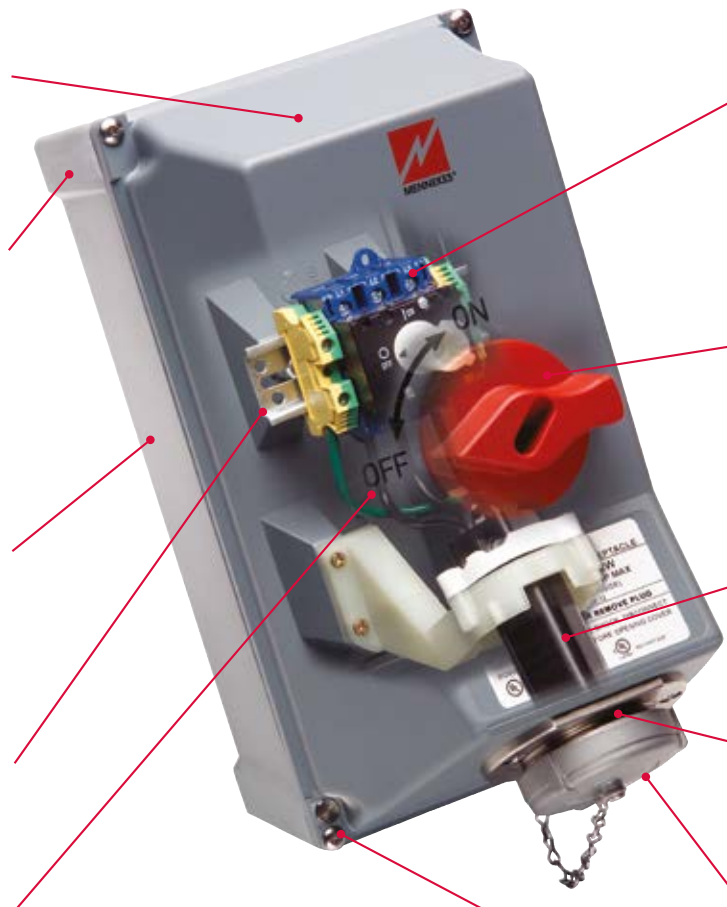
Corner mounting tubes minimize mounting footprint. Moveable mounting feet also provided.



Impact modified NEMA 4X Valox enclosure resistant to harsh environments. Features poured-in-place gasket for the ultimate seal.

DIN rail and screw mounting of components allow for ease of maintenance.

Factory wired, switch to receptacle.



Heavy-duty HP rated switch provides convenient access to field wiring terminals.

High visibility, pad-lockable handle actuates switch and receptacle interlock mechanism to assure "no-load" make and break of plug connected equipment.

Thermoset receptacle to UL 1686 C1 configurations; UL Classified for combination use with competing brand plugs.

Threaded stainless steel ring provides NEMA 4X rating with locking plugs.

Dust tight and watertight rated cover; field replaceable.

Hidden hinge system eliminates sanitation concerns.



Features and benefits

- Factory Wired – Single Unit Construction – Receptacle is pre-wired to the switch for quick installation. Mount with moveable mounting feet to allow for irregular surfaces or utilize the internal mounting tubes when mounting area is limited.
- Switch – Available non-fusible and fusible. Self-cleaning contacts are driven by solid bridge bar to prevent single phasing of motors. Quick-Make/Quick-Break action provides long electrical life. Positive opening operation protects personnel from welded contacts.
- NEMA 4X;12 Enclosure – Uses poured-in seamless gasket and stainless fixing screws for the ultimate seal. Impact modified Valox enclosure is resistant to harsh environments. Hidden Hinge System eliminates sanitation concerns.
- Padlockable Handle – Rugged high visibility design to comply with OSHA LO/TO requirements. (Reg. 1910.147).
- Auxiliary Contacts – Full range available in N/O and N/C style.

UL 1686 C1 Configured Switched Receptacles and Plugs
MSR Series, Fusible, 30 & 60 Amp



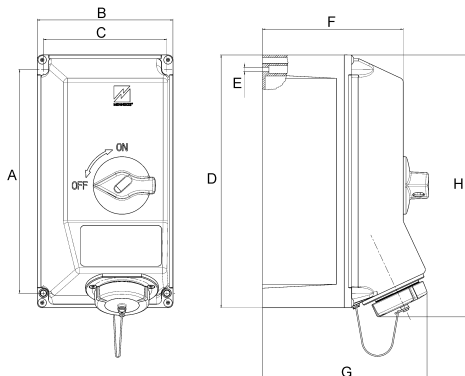
Amp	Configuration	Voltage	Single Phase (Volts)		Three Phase (Volts) HP Ratings				Catalog No.	Mating Plug Catalog No.
			120	240	208	240	480	600		
30	4 Pole, 3 Wire	600	2	3	7.5	7.5	15	20	MSR 430MIFS2W	ME 3034NM
60	4 Pole, 3 Wire	600	-	7.5	15	15	30	50	MSR 460MIFS2W	ME 6034NM

Ratings:

- Receptacles 30A & 60A, 600VAC in 3 Wire, 4 Pole
- Grounding: Style 2
- Switch: Fusible w/Type J Fuse Clips
- Short Circuit: 100 kAIC w/Fuses

Compliances and Features:

- Standards 98; 1682 & 1686 C1 Pin and Sleeve Style
- us to CSA Standard C22.2 No. 4-M89, Enclosed Switches
- Environmental: NEMA Type 4X, 12
- Enclosure Material: Valox with Nylon Handle
- Hardware: Stainless Steel and Ni plated Brass
- Insulator: Thermoset Polyester
- Contacts: Brass with Beryllium Copper Spring
- Gasket: Fermapor Polyurethane & NBR
- Receptacle Cover: Cu free Aluminium with Epoxy Power Coat
- UV Stabilized Enclosure and Gasket Materials



Approximate Dimensions (in inches)

	30A	60A
A	11.50	11.50
B	7.00	7.00
C	6.34	6.34
D	13.00	13.00
E	.20	.20
F	7.23	7.23
G	8.45	8.93
H	13.46	14.45

UL 1686 C1 Configured Switched Receptacles and Plugs
MSR Series, Non-Fusible, 30 & 60 Amp



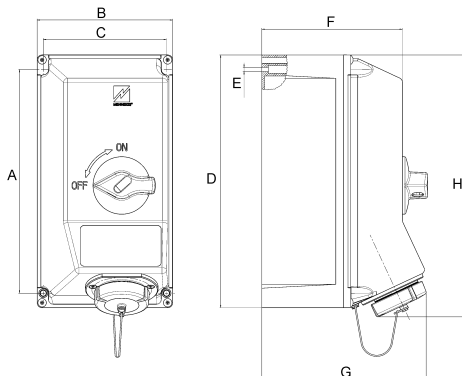
Amp	Configuration	Voltage	Single Phase (Volts)		Three Phase (Volts) HP Ratings				Catalog No.	Mating Plug Catalog No.
			120	240	208	240	480	600		
30	4 Pole, 3 Wire	600	2	5	10	10	20	20	MSR 430MIS2W	ME 3034NM
60	4 Pole, 3 Wire	600	3	10	20	20	40	50		

Ratings:

- Receptacles 30A & 60A, 600VAC in 3 Wire, 4 Pole
- Grounding: Style 2
- Switch: Heavy Duty, 600 VAC Capable
- SCCR – 65 kA RMS Symmetrical when protected with equally sized Class J Fuse

Compliances and Features:

- Standards 508; 1682 & 1686 C1 Pin and Sleeve Style
- to CSA Standard C22.2 No. 14-M95
- Environmental: NEMA Type 4X, 12
- Enclosure Material: Valox with Nylon Handle
- Hardware: Stainless Steel and Ni plated Brass
- Insulator: Thermoset Polyester
- Contacts: Brass with Beryllium Copper Spring
- Gasket: Fermapor Polyurethane & NBR
- Receptacle Cover: Cu free Aluminium with Epoxy Power Coat
- UV Stabilized Enclosure and Gasket Materials



Approximate Dimensions (in inches)

	30A	60A
A	11.50	11.50
B	7.00	7.00
C	6.34	6.34
D	13.00	13.00
E	.20	.20
F	7.23	7.23
G	8.45	8.93
H	13.46	14.45

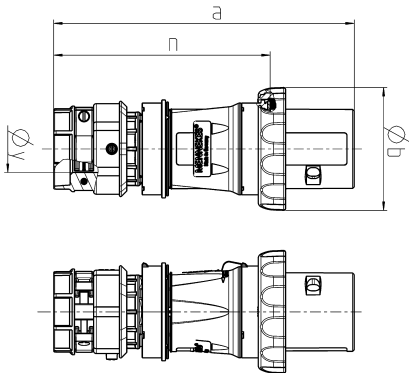
UL 1686 C1 Configured Switched Receptacles and Plugs
AM-Tite Series, Non-Metallic, 30 & 60 Amp



Ratings	Catalog No.
30A 3W 4P 600VAC	ME 3034NM
60A 3W 4P 600VAC	ME 6034NM

Compliances and Features:

- Listed to 1682; 1686
- Environmental: Type 4X; 12
- Configuration: 30A & 60A 3W 4P Style 2 Ground (C1)
- Housing Material: Impact Modified PBT Polyester
- Hardware: Stainless Steel or Ni Plated
- Outdoor Use: UV Stabilized Enclosure and Gasket Materials



Approximate Dimensions (in inches)

	30 Amp	60 Amp
A	7.362	9.646
B	2.481	3.937
N	5.709	6.850
Y		
Cord Diameter	0.45 - 1.12	0.50 - 1.45

6



Strain Relief
 Assembly accommodates wide cable range which easily threads into NPT enclosure.

Rugged Housing
 Offers outstanding insulation for user safety. Innovative design and engineered materials provide a durable alternative to traditional metal products.

Coarse Rugged Threading
 Facilitates quick assembly and eliminates threading issues associated with metal enclosures.

Sure-grip Rubberized Locking Ring
 Provides high impact protection and NEMA 4X Rating.

UL 1686 C1 Configured Switched Receptacles and Plugs Am-Tite and MSR Series

MENNEKES MSR Series Switched and Interlocked Receptacles incorporate an interlocking receptacle and disconnect switch in one non-metallic NEMA 4X; 12 enclosure. Units conform to UL Standard 1686 C1 configurations assuring interchangeability with other manufacturers. Units meet OSHA requirements for lockout/tagout (Reg. 1910.147) and prevent arc-flash.

MSR Series Interlocks are used with traditional metal plugs, or with the innovative MENNEKES AM-Tite Series plugs. These next generation UL 1686 configured plugs are easier to install and are compatible with mating devices from other manufacturers. With AM-tite plugs, you can maintain existing plant standards while promoting operator safety inherent with non-metallic devices.



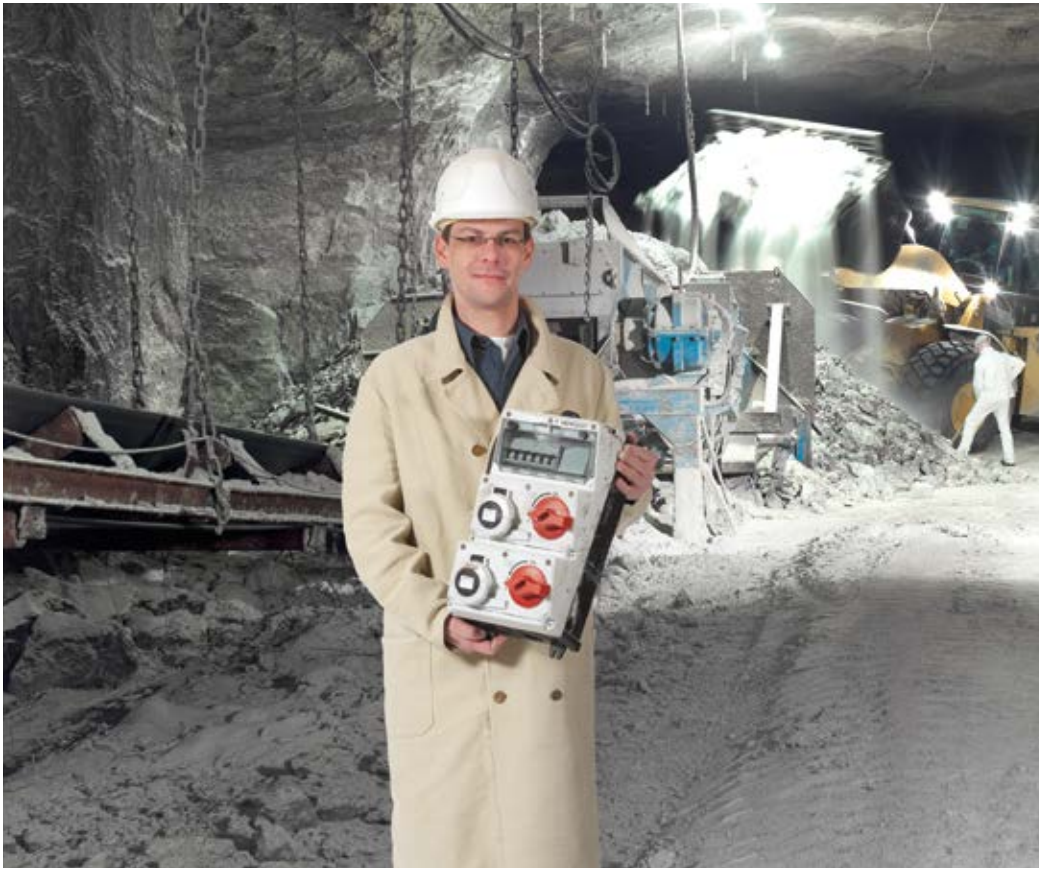
MSR Interlock mated with traditional metal plug



NEMA 4X AM-Tite Non-Metallic Plugs available in 30A % 60A

AM-Tite Plug mated to metal devices; compatible with other manufacturers with Style 2 grounding





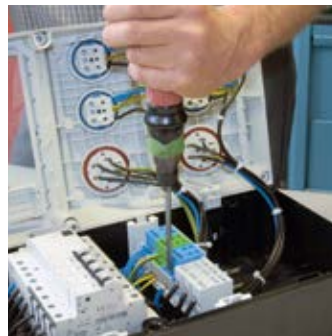
Endurance Test.

When a MENNEKES product leaves our factory, it has already withstood the harshest testing. In our test lab it is exposed to cold, heat, dust and water over and over again. Only the products that withstand these tests are worthy of the name MENNEKES.

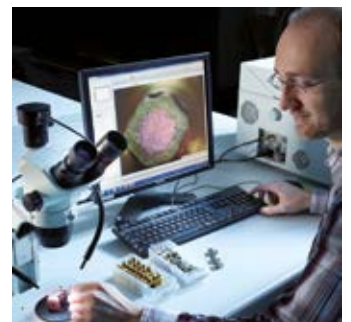
As a specialist for plug and receptacle devices, we have our own approved test lab where our products are tested again and again until we are convinced that they can permanently withstand the harshest environments.

Our products are certified to national and international standards by renowned institutions. Our international quality management system is certified to DIN EN ISO 9001.

The combination of first-class raw materials and advanced manufacturing processes guarantees a premium product. This is why we use only first-grade resins, which are processed by a highly skilled workforce in state-of-the-art production facilities to create certified MENNEKES products.



We guarantee the high quality standard of our products by our own test laboratory. This laboratory is approved and will be used for product tests of our products to get test marks acc. to IEC 60309 by approval authorities like the VDE etc.



Service
Industry Applications



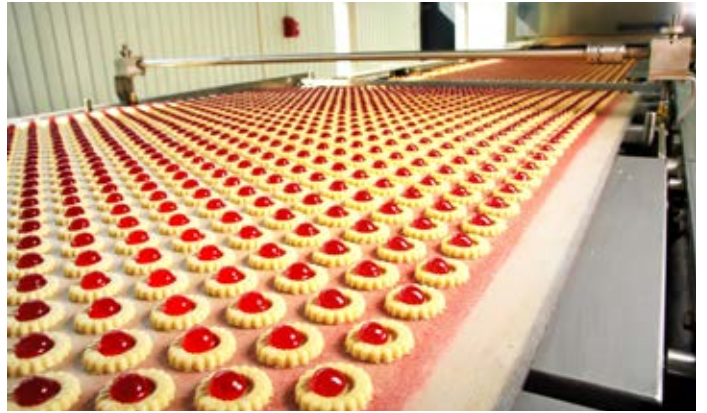
Welding & Automotive



Pharmaceutical & Clean Rooms



Energy



Food Processing & Conveyors



Construction Sites



Outdoor Festivals & Amusements



Wineries & Breweries



Agriculture & Farming

Service Index

Catalog No.	Page	Catalog No.	Page	Catalog No.	Page	Catalog No.	Page
100BBWP-2	25	AMX4A-949034	42	ME 3100R4W-L	15	ME 40DS1A-M2	61
100BBWP-2	25	AMX4A-949035	43	ME 3100R6W	15	ME 40DS1A-M2PSX	61
2030BBWP-1	25	AMX4A-949036	43	ME 3100R6W-L	15	ME 40SLP2A-M2	64
2030BBWP-1+	25	AMX5A-951176	45	ME 3100R7W	15	ME 40SLP2A-M2-MF	64
2030BBWP-2	25	AMX5A-951178	44	ME 3100R7W-L	15	ME 4100B12W-L	17
2030BBWP-2	25	AMX5A-951183	45	ME 320B4W	16	ME 4100B5W-L	17
60BBWP-1	25	AMX5A-951184	44	ME 320B6W	16	ME 4100B6W-L	17
60BBWP-2	25	AMX5A-951484	46	ME 320B7W	16	ME 4100B7W-L	17
60BBWP-2	25	AMX5A-959061	46	ME 320C4W	20	ME 4100B9W-L	17
AMX1A-910380	30	AMX5A-959063	46	ME 320C6W	20	ME 4100C12M	24
AMX1A-910381	30	AMX5A-959064	46	ME 320C7W	20	ME 4100C12W	21
AMX1A-910383	31	AMX5A-959083	45	ME 320CAP	25	ME 4100C5W	21
AMX1A-910384	30	AMX5A-959087	45	ME 320HMI4	56	ME 4100C6W	21
AMX1A-910385	30	ME 100CAP	25	ME 320HMI6	56	ME 4100C6W	23
AMX1A-910386	31	ME 100FDS3A	63	ME 320HMI7	56	ME 4100C7W	21
AMX1A-919003	31	ME 100FM3A-M2	67	ME 320P4W	18	ME 4100C9W	21
AMX1A-919011	31	ME 100MIX	54	ME 320P6W	18	ME 4100MI12	54
AMX2A-360MI6	32	ME 100MS2A-M2	62	ME 320P7W	18	ME 4100MI5	54
AMX2A-360MI6DPLX	32	ME 100SLP3A-M2	64	ME 320R4W	12	ME 4100MI7	54
AMX2A-360MI6GFI	32	ME 100SLP3A-M2-MF	64	ME 320R4W-L	12	ME 4100MI9	54
AMX2A-360MI6GFIU	32	ME 100SLP4A-M2	64	ME 320R6W	12	ME 4100P12M	24
AMX2A-460MI7	34	ME 125MS3A-M2	62	ME 320R6W-L	12	ME 4100P6W-6234OC	23
AMX2A-460MI7DPLX	34	ME 200MS6A-M2	62	ME 320R7W	12	ME 4100R12M	24
AMX2A-460MI7GFIU	34	ME 20DS1A-M2	61	ME 320R7W-L	12	ME 4100R12M-L	24
AMX2A-460MI9	33	ME 20DS1A-M2PSX	61	ME 320SLPMI4	57	ME 4100R12W	15
AMX2A-460MI9DPLX	33	ME 20MIX	52	ME 320SLPMI6	57	ME 4100R12W-L	15
AMX2A-460MI9GFI	33	ME 20MS2A-M2	62	ME 330B4W	16	ME 4100R5W	15
AMX2A-460MI9GFIU	33	ME 3034NM	74	ME 330B6W	16	ME 4100R5W-L	15
AMX2A-921399	36	ME 306MS2A-M2	62	ME 330B7W	16	ME 4100R6W-L	15
AMX2A-921499	36	ME 306SDS2A-M2-MF	65	ME 330C4W	20	ME 4100R7W	15
AMX2A-922087	35	ME 306SLP2A-M2	64	ME 330C6W	20	ME 4100R7W-L	15
AMX2A-922088	36	ME 306SLP3A-M2	64	ME 330C7W	20	ME 4100R9W	15
AMX2A-929021	34	ME 30AUX	52	ME 330MI4	52	ME 4100R9W-L	15
AMX2A-929082	36	ME 30CDS1A-M2	60	ME 330MI6	52	ME 420B12W	16
AMX2A-929083	37	ME 30CDS1A-M2PSX	60	ME 330MI7	52	ME 420B5W	16
AMX2A-929084	37	ME 30DS1A-M2	61	ME 330MIF6	53	ME 420B6W	16
AMX2A-929085	37	ME 30DS1A-M2PSX	61	ME 330P4W	18	ME 420B7W	16
AMX2A-929210	35	ME 30FDAUX	53	ME 330P6W	18	ME 420B9W	16
AMX2A-929214	35	ME 30FDS2A	63	ME 330P7W	18	ME 420C12W	20
AMX2A-929269	35	ME 30FDS2A-CC	63	ME 330R4W	13	ME 420C5W	20
AMX3A-932238	38	ME 30FM2A-M2	67	ME 330R4W-L	13	ME 420C6W	20
AMX3A-932239	38	ME 30FS	69	ME 330R6W	13	ME 420C7W	20
AMX3A-932976	38	ME 30FS-M2	69	ME 330R6W-L	13	ME 420C9W	20
AMX3A-933223	41	ME 30FSP	69	ME 330R7W	13	ME 420CAP	25
AMX3A-933222	39	ME 30FSP-M2	69	ME 330R7W-L	13	ME 420HMI12	56
AMX3A-933224	39	ME 30MIX	52	ME 330SLPMI4	57	ME 420HMI5	56
AMX3A-933225	41	ME 30MS2A-M2	62	ME 330SLPMI6	57	ME 420HMI7	56
AMX3A-939003	37	ME 30SDS-M2-MF	65	ME 3430CAP	25	ME 420HMI9	56
AMX3A-939060	39	ME 30SLP1A-M2	64	ME 360B4W-L	17	ME 420MI12	52
AMX3A-939012	25	ME 30SLP2A-M2	64	ME 360B6W-L	17	ME 420MI5	52
AMX3A-939061	39	ME 30SLP2A-M2-MF	64	ME 360C4W	21	ME 420MI7	52
AMX3A-939064	40	ME 30SLPF1A	66	ME 360C6W	21	ME 420MI9	52
AMX3A-939065	40	ME 30SLP-M2-MF	64	ME 360C7W	21	ME 420MICB7-10	55
AMX3A-939208	38	ME 30XFDSJ	53	ME 360MI6	52	ME 420MICB9-10	55
AMX3A-939276	40	ME 306SLP2A-M2-MF	64	ME 360MI7	52	ME 420MIF7-W	55
AMX3A-939277	40	ME 3100B4W-L	17	ME 360MIF6	53	ME 420MIF9-JW	55
AMX4A-942988	42	ME 3100B6W-L	17	ME 360P4W	19	ME 420P12W	18
AMX4A-942998	41	ME 3100B7W-L	17	ME 360P6W	19	ME 420P5W	18
AMX4A-943007	42	ME 3100C4W	21	ME 360P7W	19	ME 420P6W	18
AMX4A-943008	41	ME 3100C6W	21	ME 360R4W	14	ME 420P7W	18
AMX4A-943233	43	ME 3100C7W	21	ME 360R4W-L	14	ME 420P9W	18
AMX4A-943234	44	ME 3100MI4	54	ME 360R6W	14	ME 420R12W	12
AMX4A-943235	43	ME 3100MI6	54	ME 360R6W-L	14	ME 420R12W-L	12
AMX4A-943236	44	ME 3100MI7	54	ME 360R7W	14	ME 420R5W	12
AMX4A-949032	42	ME 3100R4W	15	ME 360R7W-L	14	ME 420R5W-L	12

Service Index

Catalog No.	Page	Catalog No.	Page	Catalog No.	Page	Catalog No.	Page
ME 420R6W-L	12	ME 460C6W	23	ME 520HMI9	56	ME 560MIF9-JW	55
ME 420R7W	12	ME 460C7W	21	ME 520P5W	18	ME 560P5W	19
ME 420R7W-L	12	ME 460C9W	21	ME 520P6W	18	ME 560P6W	19
ME 420R9W	12	ME 460MI12	52	ME 520P7W	18	ME 560P6W-62335C*	23
ME 420R9W-L	12	ME 460MI5	52	ME 520P9W	18	ME 560P7W	19
ME 420SLPMI12	57	ME 460MI7	52	ME 520R5W	12	ME 560P9W	19
ME 420SLPMI5	57	ME 460MI9	52	ME 520R5W-L	12	ME 560R5W	14
ME 420SLPMI7	57	ME 460MICB7-25	55	ME 520R6W-L	12	ME 560R5W-L	14
ME 420SLPMI9	57	ME 460MICB9-10	55	ME 520R7W	12	ME 560R6W-L	14
ME 430B12W	16	ME 460MIF12	53	ME 520R7W-L	12	ME 560R6W-L	23
ME 430B5W	16	ME 460MIF5	53	ME 520R9W	12	ME 560R7W	14
ME 430B6W	16	ME 460MIF7	53	ME 520R9W-L	12	ME 560R7W-L	14
ME 430B7W	16	ME 460MIF7-JW	55	ME 520SLPMI5	57	ME 560R9W	14
ME 430B9W	16	ME 460MIF9	53	ME 520SLPMI7	57	ME 560R9W-L	14
ME 430C12W	20	ME 460MIF9-JW	55	ME 520SLPMI9	57	ME 6034NM	74
ME 430C5W	20	ME 460P12W	19	ME 530B5W	16	ME 606MS2A-M2	62
ME 430C6W	20	ME 460P5W	19	ME 530B6W	16	ME 606SDS2A-M2-MF	65
ME 430C6W*	23	ME 460P6W	19	ME 530B7W	16	ME 60CAP	25
ME 430C7W	20	ME 460P6W-62334C	23	ME 530B9W	16	ME 60FDAUX	53
ME 430C9W	20	ME 460P7W	19	ME 530C5W	20	ME 60FDS3A	63
ME 430MI12	52	ME 460P9W	19	ME 530C6W	20	ME 60FM3A-M2	67
ME 430MI5	52	ME 460R12W	14	ME 530C6W	23	ME 60MIX	52
ME 430MI7	52	ME 460R12W-L	14	ME 530C7W	20	ME 60MS2A-M2	62
ME 430MI9	52	ME 460R5W	14	ME 530C9W	20	ME 60SDS2A-M2-MF	65
ME 430MICB7-10	55	ME 460R5W-L	14	ME 530CAP	25	ME 60SLP2A-M2	64
ME 430MICB9-10	55	ME 460R6W-L	14	ME 530MI5	52	ME 60SLP2A-M2-MF	64
ME 430MIF12	53	ME 460R6W-L	23	ME 530MI7	52	ME 60SLPF1A	66
ME 430MIF5	53	ME 460R7W	14	ME 530MI9	52	ME 60XFDJSJ	53
ME 430MIF7	53	ME 460R7W-L	14	ME 530MICB7-10	55	ME 806MS3A-M2	62
ME 430MIF7-JW	55	ME 460R9W	14	ME 530MIF7-JW	55	ME 80AUX	52
ME 430MIF9	53	ME 460R9W-L	14	ME 530P5W	18	ME 80AUX	54
ME 430MIF9-JW	55	ME 5100B5W-L	17	ME 530P6W	18	ME 80MS2A-M2	62
ME 430P12W	18	ME 5100B6W-L	17	ME 530P6W	23	ME 100SDS2A-M2-MF	65
ME 430P5W	18	ME 5100B7W-L	17	ME 530P7W	18	MSR 430MIFS2W	72
ME 430P6W	18	ME 5100B9W-L	17	ME 530P9W	18	MSR 430MIS2W	73
ME 430P6W*	23	ME 5100C5W	21	ME 530R5W	13	MSR 460MIFS2W	72
ME 430P7W	18	ME 5100C6W	21	ME 530R5W-L	13	MSR 460MIS2W	73
ME 430P9W	18	ME 5100C6W	23	ME 530R6W	13	SLP1A-BLK	68
ME 430R12W	13	ME 5100C7W	21	ME 530R6W-L	13	SLP2A-BLK	68
ME 430R12W-L	13	ME 5100C9M	24	ME 530R6W-L	23	SLP3A-BLK	68
ME 430R5W	13	ME 5100C9W	21	ME 530R7W	13	SLPB1A	68
ME 430R5W-L	13	ME 5100MI5	54	ME 530R7W-L	13	SLPB1A-30.5	68
ME 430R6W-L	13	ME 5100MI7	54	ME 530R9W	13	SLPB2A	68
ME 430R6W-L	23	ME 5100MI9	54	ME 530R9W-L	13	SLPB2A-30.5	68
ME 430R7W	13	ME 5100P6W-62357C	23	ME 530SLPMI5	57	SLPB3A	68
ME 430R7W-L	13	ME 5100P9M	24	ME 530SLPMI7	57	SLPB3A-30.5	68
ME 430R9W	13	ME 5100R5W	15	ME 530SLPMI9	57	SLPB4A	68
ME 430R9W-L	13	ME 5100R5W-L	15	ME 560B5W-L	17	SLPB4A-30.5	68
ME 430SLPMI12	57	ME 5100R6W-L	15	ME 560B6W-L	17	SLPMI-BLK	68
ME 430SLPMI5	57	ME 5100R6W-L	23	ME 560B7W-L	17	SPX1A-619006	49
ME 430SLPMI7	57	ME 5100R7W	15	ME 560B9W-L	17	SPX1A-619014	49
ME 430SLPMI9	57	ME 5100R7W-L	15	ME 560C5W	21	SPX1A-619018	49
ME 432C3W-2177	25	ME 5100R9M	24	ME 560C6W	21	SPX2A-629006	49
ME 432MI3	25	ME 5100R9M-L	24	ME 560C6W	23	SPX2A-629007	49
ME 432P3W-2175	25	ME 5100R9W	15	ME 560C7W	21	SPX2A-629018	49
ME 432R3W-2123	25	ME 5100R9W-L	15	ME 560C9W	21	SPX3A-639012	49
ME 432SLPMI3	57	ME 520B5W	16	ME 560MI5	52	SPX3A-639008	49
ME 460B12W-L	17	ME 520B6W	16	ME 560MI7	52	SPX3A-639011	49
ME 460B5W-L	17	ME 520B7W	16	ME 560MI9	52		
ME 460B6W-L	17	ME 520B9W	16	ME 560MICB7-25	55		
ME 460B7W-L	17	ME 520C5W	20	ME 560MICB9-10	55		
ME 460B9W-L	17	ME 520C6W	20	ME 560MIF5	53		
ME 460C12W	21	ME 520C7W	20	ME 560MIF7	53		
ME 460C5W	21	ME 520C9W	20	ME 560MIF7-JW	55		
ME 460C6W	21	ME 520CAP	25	ME 560MIF9	53		

North American Headquarters:

MENNEKES

Electrical Products
277 Fairfield Road
FAIRFIELD, N.J. 07004
USA

Phone: + 1 800 882-7584
Fax + 1 973 882-5585
info@MENNEKES.com
www.MENNEKES.com

Worldwide Headquarters:

MENNEKES

Elektrotechnik GmbH & Co. KG

Aloys-Mennekes-Str. 1
57399 KIRCHHUNDEM
GERMANY

Phone: + 49 2723 41-1
Fax + 49 2723 41-214
info@MENNEKES.de
www.MENNEKES.de

Plant Neudorf:

MENNEKES

Elektrotechnik Sachsen GmbH

MENNEKES Straße 1
09465 SEHMATAL-NEUDORF /
ERZGEBIRGE
GERMANY

Phone: + 49 37342 862-0
Fax + 49 37342 862-38
info@MENNEKES-Sachsen.de

1010150DS 1TA 08.22 V Subject to modification. No liability for misprints.

